

**6A KEY TELEPHONE SYSTEM**  
**HOLDING ARRANGEMENT FOR 6A STATIONS**  
**USING 1A OR 1A1 LINE AND SIGNALING CIRCUITS**

**1.00 INTRODUCTION**

**1.01** This section covers the description and connections necessary to provide a holding arrangement for 6A system stations on single- or 2-talking link arrangements.

**1.02** This circuit would be used primarily to permit outward add-on conferencing.

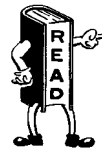
**2.00 GENERAL**

**2.01** The holding bridge provided for by this arrangement will enable a 6A station to get back into a link without the necessity of initiating another call on the 6A system.

**2.02** When this circuit is used for outward add-on conferencing, proceed as follows:

1. Put 6A call on hold.
2. Dial desired number on central office or PBX line to be conferenced.
3. After call is established, place central office or PBX line on hold.

4. Reoperate the pickup key associated with the 6A system (this will break the hold condition on the 6A system).



*Failure to break the hold condition on the 6A system would keep the link and the central office or PBX line in a locked condition even though the call was completed.*

5. Operate the add-on conferencing key associated with the held central office or PBX line. (This will break the hold condition on the central office or PBX line and connect it to the 6A system.)
6. Conversation can now take place, and the control station can drop off the link at any time.

**3.00 INDEX OF FIGURES**

Fig. 1—Connections Using 202A KTU

Fig. 2—Connections Using 202B or 212A KTU

Fig. 3—Connections Using 202C/D or 230A/B KTU

Fig. 4—Connections Using 238A or 239A KTU

Fig. 5—Connections Using 1A or 1B KTU

SECTION C71.015.00

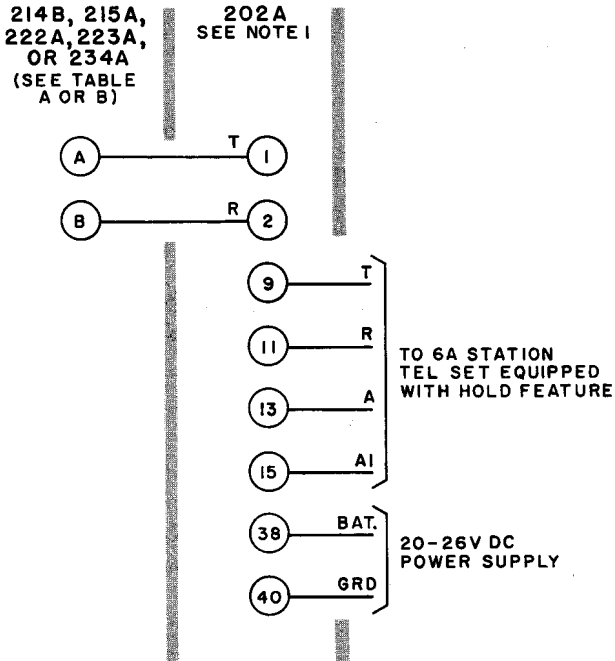


Fig. 1 — Connections Using 202A KTU

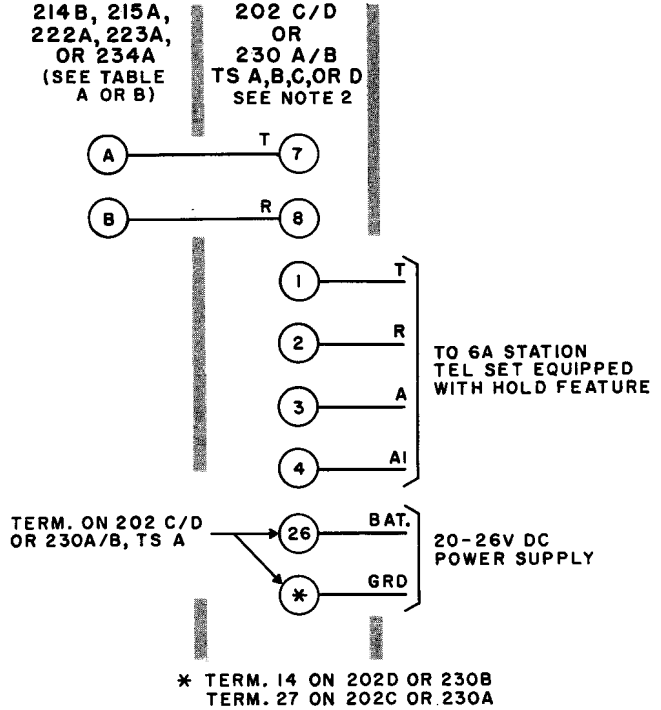


Fig. 3 — Connections Using 202C/D or 230A/B KTU

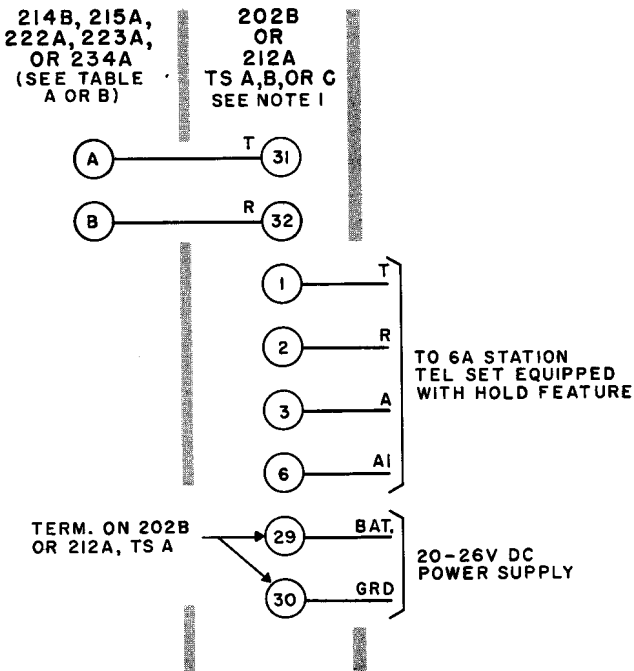


Fig. 2 — Connections Using 202B or 212A KTU

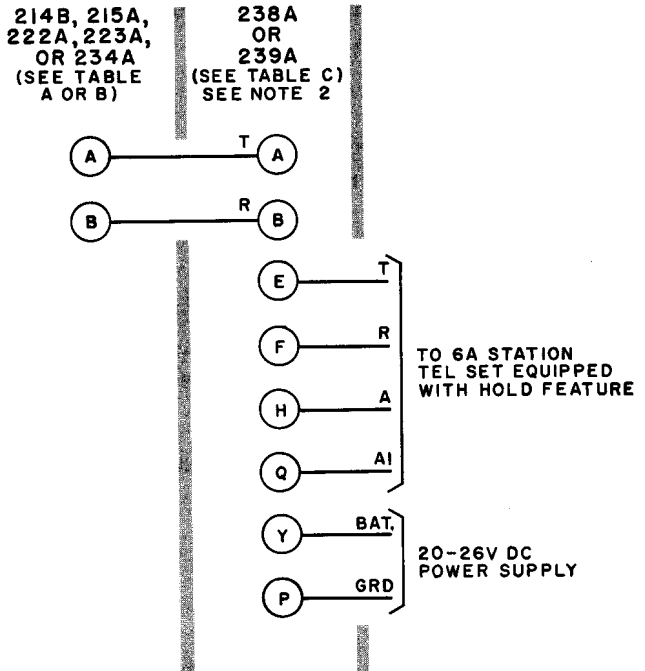
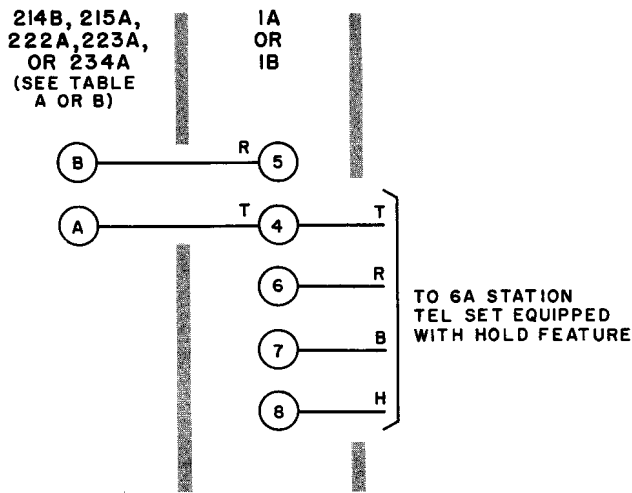


Fig. 4 — Connections Using 238A or 239A KTU



**Note 1:** Remove strap if provided, as follows:

On 202A, terminal 39 and 40  
 On 202B or 212A, terminal 26 and 36

**Note 2:** Remove strap between 7 and 17 of line circuit used.

**Fig. 5 – Connections Using 1A or 1B KTU**

**TABLE A**

Ref Desig	214B, 222A, OR 234A								
	223A								
	Ckt 1	Ckt 2	Ckt 3	Ckt 4	Ckt 5	Ckt 6	Ckt 7	Ckt 8	Ckt 9
A	1A	11A	21A	31A	1B	11B	21B	31B	1C
B	2A	12A	22A	32A	2B	12B	22B	32B	2C

**TABLE B**

Ref Desig	215A		
	Ckt 1	Ckt 2	Ckt 3
A	1	11	21
B	2	12	22

**TABLE C**

Ref Desig	239A										
	238A										
	Ckt 1	Ckt 2	Ckt 3	Ckt 4	Ckt 5	Ckt 6	Ckt 7	Ckt 8	Ckt 9	Ckt 10	Ckt 11
A	7A	27A	7B	27B	7C	27C	7D	27D	7E	27E	7F
B	8A	28A	8B	28B	8C	28C	8D	28D	8E	28E	8F
E	1A	21A	1B	21B	1C	21C	1D	21D	1E	21E	1F
F	2A	22A	2B	22B	2C	22C	2D	22D	2E	22E	2F
H	3A	23A	3B	23B	3C	23C	3D	23D	3E	23E	3F
Q	4A	24A	4B	24B	4C	24C	4D	24D	4E	24E	4F
P	9A		9B		9C		9D		9E		9F
Y	10A		10B		10C		10D		10E		10F