

*555 P.B.X.*

## 1A AND 1B KEY TELEPHONE UNITS

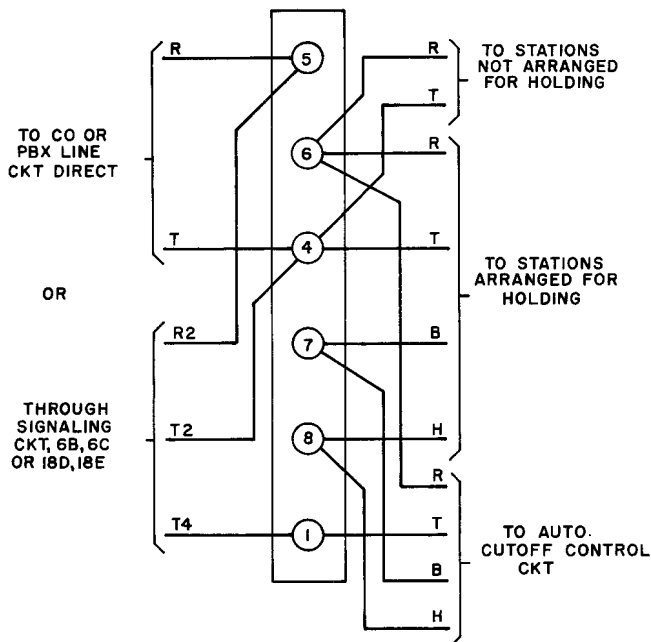
### HOLD CIRCUITS

### CONNECTIONS

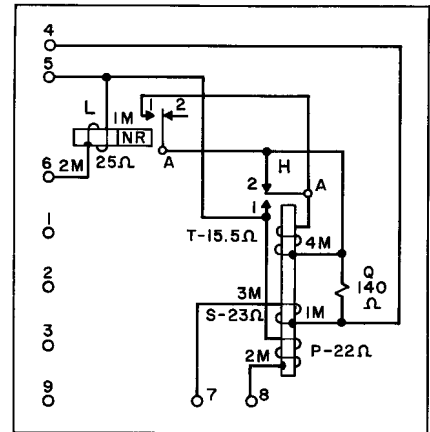
#### 1.00 GENERAL

Normally the holding circuit of the 1A KTU is provided. However, when the line is associated with a 555-type PBX or the range of the 1A is not sufficient, the 1B KTU must be used.

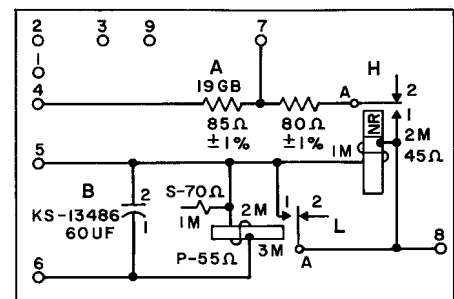
#### 2.00 CONNECTIONS



**Fig. 1 - 1A or 1B KTU Connections**  
 Ref: CD- and SD-69091-01



**Fig. 2 - 1A KTU Hold Circuit**



**Fig. 3 - 1B KTU Hold Circuit**