

3A KEY TELEPHONE UNIT INTERCOMMUNICATING SIGNALING CIRCUIT CONNECTIONS

1.00 GENERAL

Provide the 3A KTU when both coded and selective signaling are required for any buzzer.

2.00 CONNECTIONS

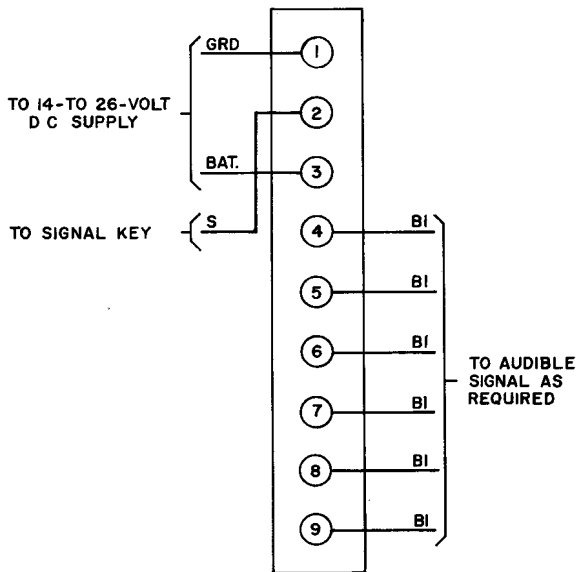
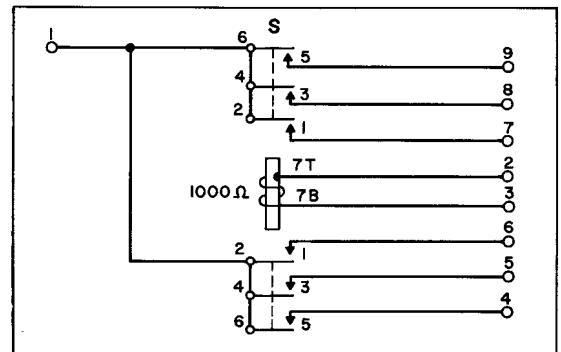


Fig. 1 - 3A KTU Connections
 Ref: CD- and SD-69091-01



**Fig. 2 - 3A KTU Intercom
 Signaling Circuit**