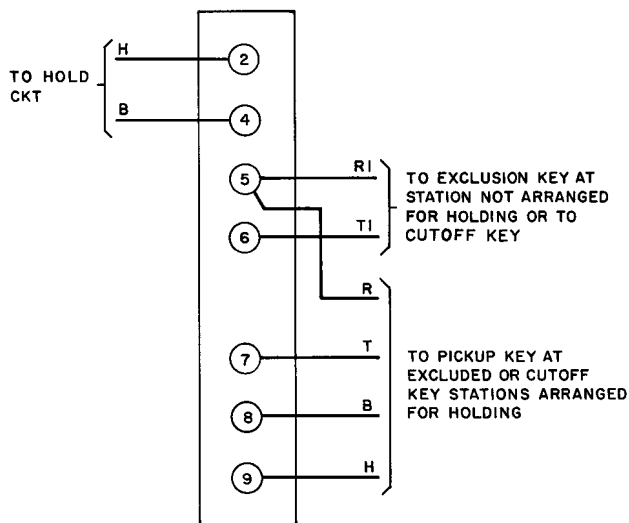


## 5A KEY TELEPHONE UNIT AUXILIARY HOLD CIRCUIT CONNECTIONS

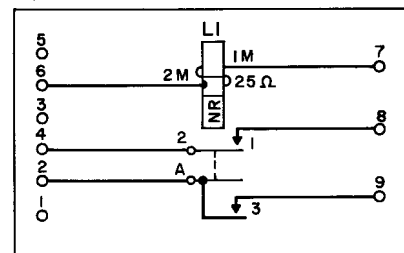
### 1.00 GENERAL

The 5A KTU is used when a station not arranged for holding is to exclude stations arranged for holding, or when a cutoff key which opens only the tip and ring of the line is used to cut off stations arranged for holding.

### 2.00 CONNECTIONS



**Fig. 1 - 5A KTU Connections**  
 Ref: CD- and SD-69091-01



**Fig. 2 - 5A KTU Auxiliary Hold Circuit**