

55 PBX.

6B AND 6C KEY TELEPHONE UNITS
SUPERVISORY AND BUSY LAMP CIRCUITS
CONNECTIONS

1.00 GENERAL

The 6B and 6C KTU are supervisory and busy lamp relay circuits. They are the same except for relay adjustment. The 6C is to be used when the circuit is associated with a 555-type PBX station.

2.00 CONNECTIONS

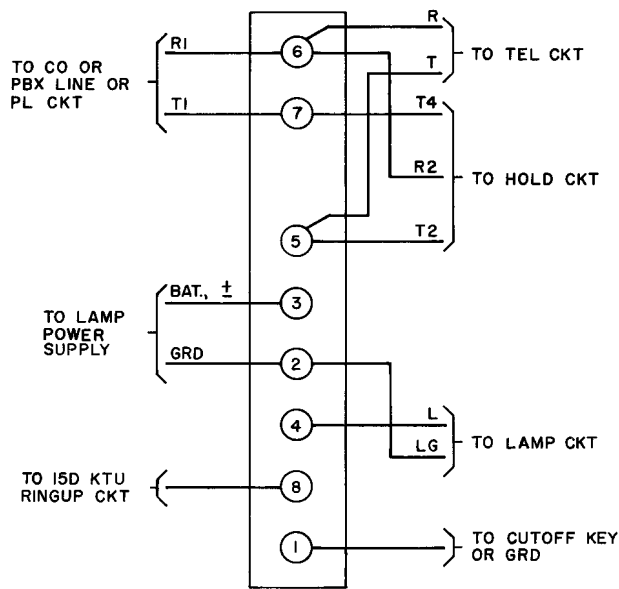


Fig. 1 - 6B or 6C KTU Connections
 Ref: CD- and SD-69091-01

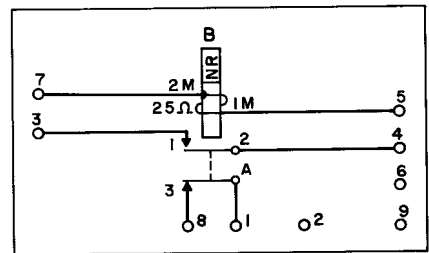


Fig. 2 - 6B or 6C KTU Supervisory Relay Circuit