

10A KEY TELEPHONE UNIT AUTOMATIC EXCLUSION CIRCUIT CONNECTIONS

1.00 GENERAL

1.01 This automatic exclusion circuit can be used on central office or PBX lines with or without the holding circuit.

1.02 When this circuit is used, make sure ringers at excluded stations are not cut off by exclusion circuit.

2.00 CONNECTIONS

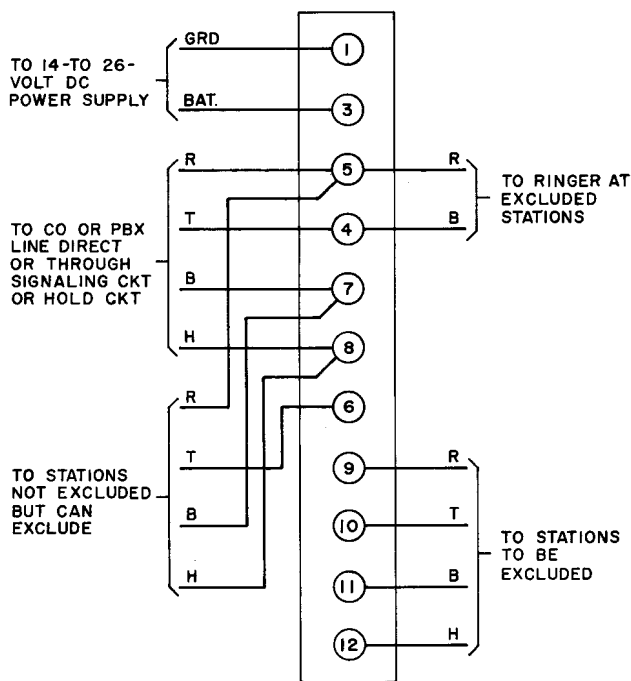


Fig. 1 - 10A KTU Connections
 Ref: CD- and SD-69140-01

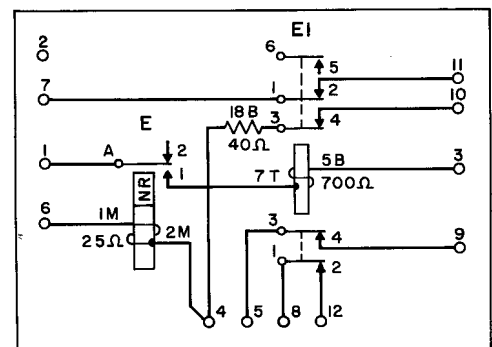


Fig. 2 - 10A KTU Automatic Exclusion Circuit