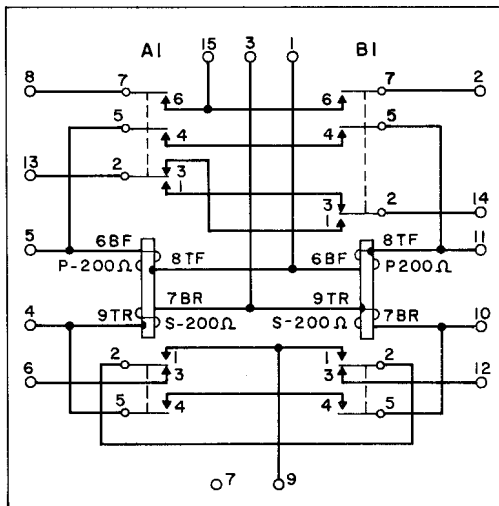


## 13C KEY TELEPHONE UNIT 2-WAY AUTOMATIC SIGNALING INTERCOMMUNICATING CIRCUIT CONNECTIONS

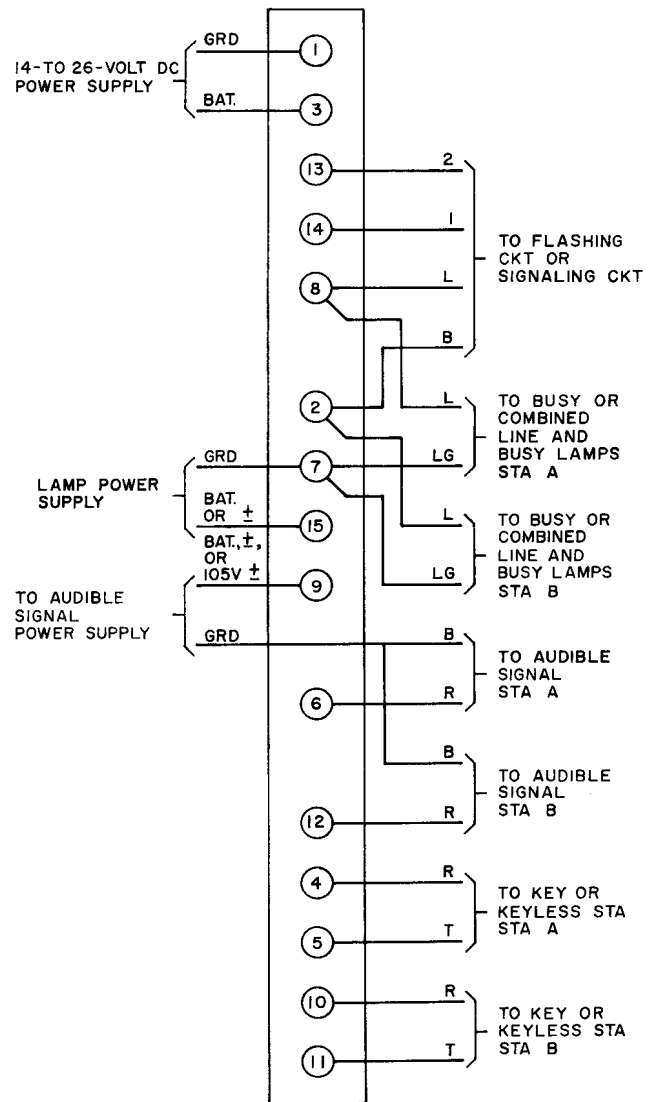
### 1.00 GENERAL

The 13C KTU is used to provide intercommunicating between stations when automatic signaling is required. This circuit will also provide combined line and busy lamps. The 13C KTU does not provide control of the time-out relay circuit.

### 2.00 CONNECTIONS



**Fig. 1 - 13C KTU 2-way  
 Automatic Signaling  
 Intercom Circuit**



**Fig. 2 - 13C KTU Connections  
 Ref: CD- and SD-69091-01**