

14A AND 15D KEY TELEPHONE UNITS  
 RINGUP RELAY CIRCUIT  
 CONNECTIONS

15D KTU + JRE KTU + 30AKTU  
 USED IN DRY TIP TK. CCT.

1.00 GENERAL

The 14A and 15D KTU are ringup relay circuits arranged to provide for common audible signal (locked-in, nonlocked-in, or controlled) and line lamps (separate or combined line and busy). Although the 14A KTU is designated for manual areas, the 15D KTU should be used in all areas except in manual areas where the incoming ringing is through a ring-through repeat coil.

2.00 CONNECTIONS

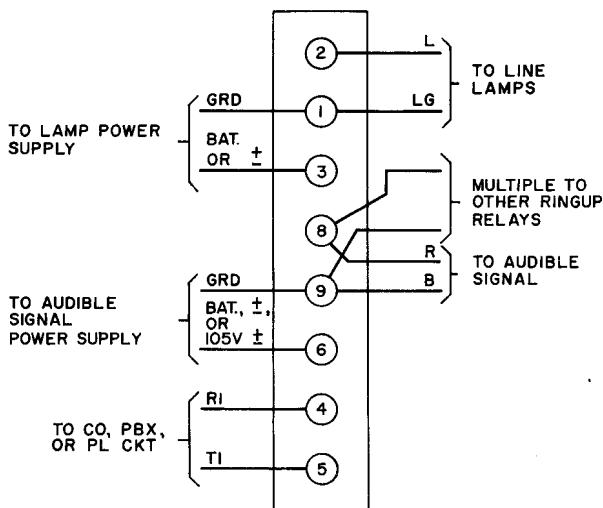


Fig. 1 - 14A KTU for Separate Line Lamps and Common Audible Signal Nonlocked-in  
 Ref: CD- and SD-69091-01

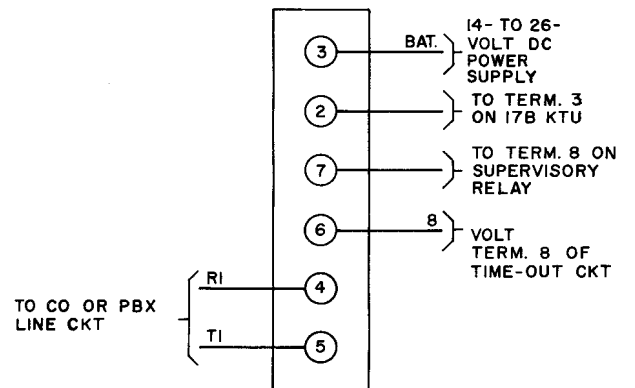


Fig. 2 - 14A KTU for Controlled Line Lamps and Common Audible Signal Locked-in  
 Ref: CD- and SD-69091-01

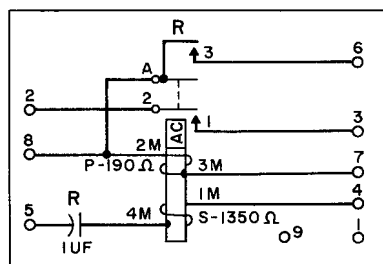


Fig. 3 - 14A KTU Ringup Relay Circuit - Manual Type

SECTION C71.336.10

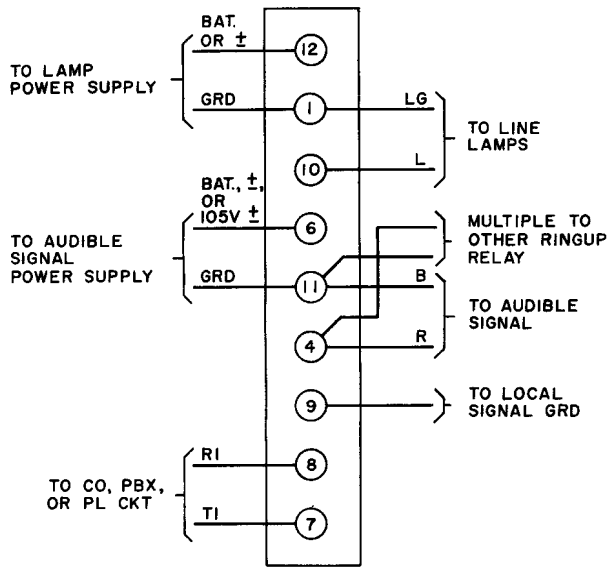


Fig. 4 - 15D KTU for Separate Line Lamps and Common Audible Signal Nonlocked-in Ref: CD- and SD-69091-01

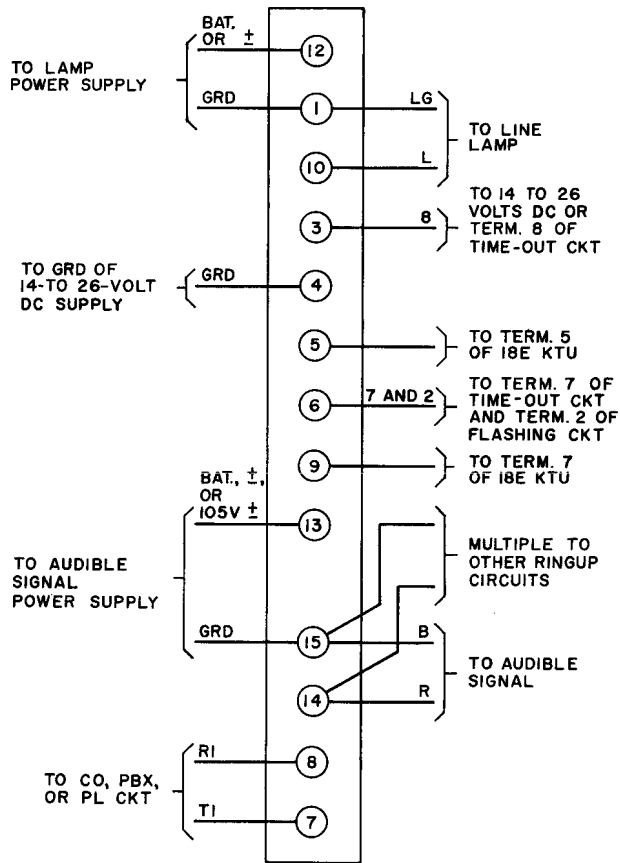


Fig. 5 - 15D KTU for Controlled Line Lamps and Common Audible Signal Locked-in Ref: CD- and SD-69091-01

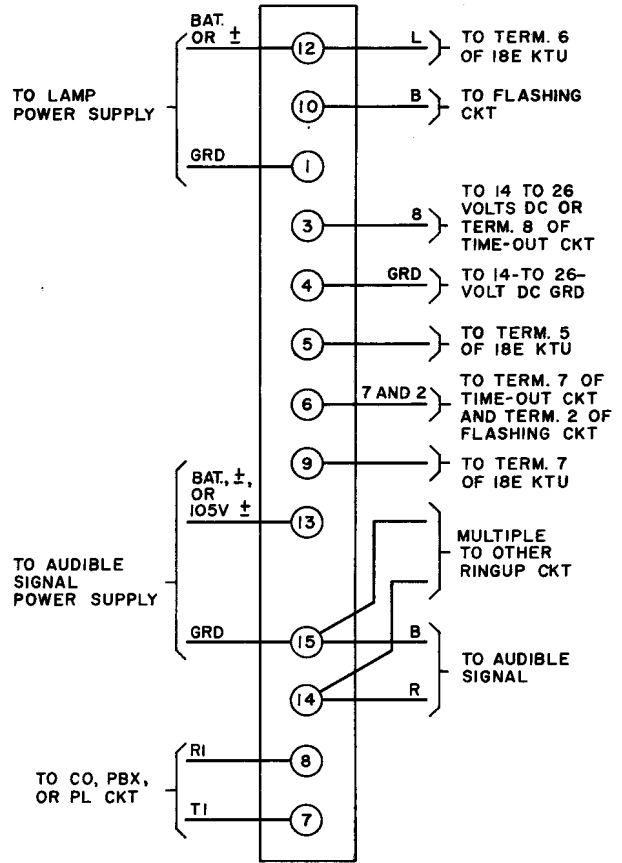


Fig. 6 - 15D KTU for Controlled Combined Line and Busy Lamps and Common Audible Signal Ref: CD- and SD-69091-01

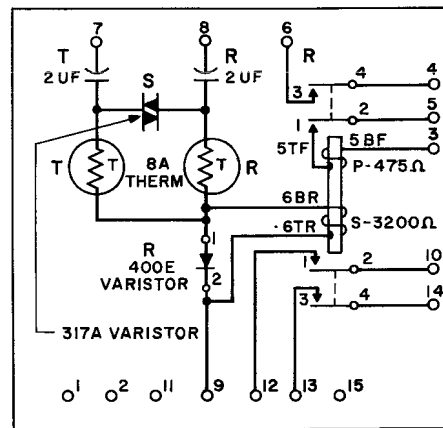


Fig. 7 - 15D KTU Ringup Relay Circuit Dual Type