

16A AND 20A KEY TELEPHONE UNITS

COMMON AUDIBLE CONTROL CIRCUITS

CONNECTIONS

1.00 GENERAL

1.01 The 16A KTU is used as a second common audible signal control unit for interrupted audible signals. The dc relay *R1* is operated only while ringing current flows through its winding. The *R1* varistor is a full-wave rectifier which eliminates chattering in the *R1* relay.

1.02 The 20A KTU is used as a second common audible signal control unit with the 14A KTU. Its low-resistance winding, 1.7 ohms, is connected in series with the primary winding of a 14A KTU.

2.00 CONNECTIONS

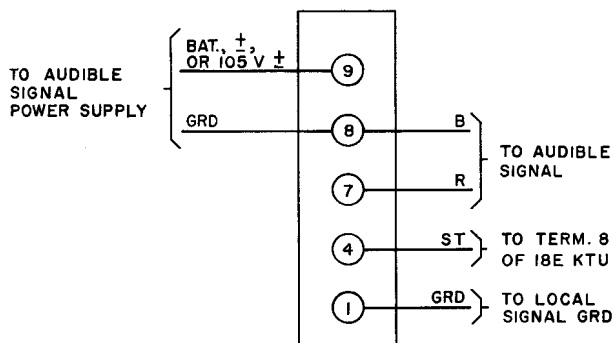


Fig. 1 - 16A KTU Connections
 Ref: CD- and SD-69091-01

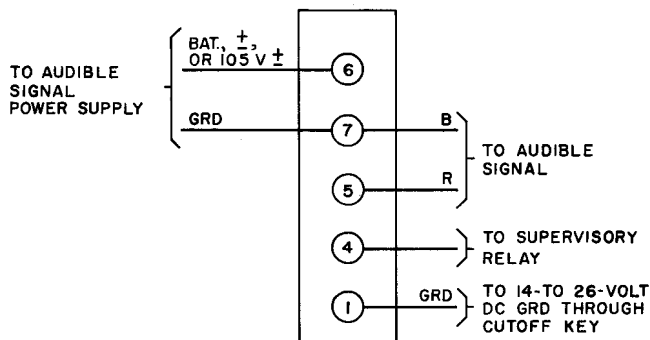


Fig. 2 - 20A KTU Connections
 Ref: CD- and SD-69091-01

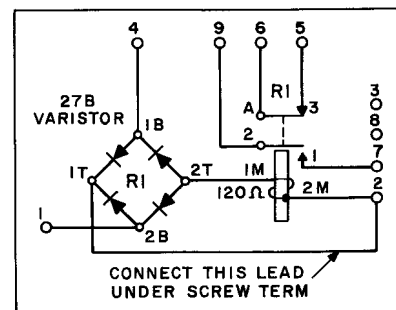


Fig. 3 - 16A KTU Common Audible Control Circuit

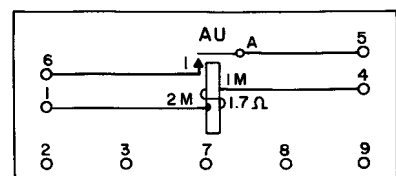


Fig. 4 - 20A KTU Common Audible Control Circuit