

17B KEY TELEPHONE UNIT
 SWITCHING RELAY CIRCUIT
 CONNECTIONS

101 KEY EQUIPMENT

1.00 GENERAL

The 17B KTU is used whenever it is required to switch one or two leads.

2.00 CONNECTIONS

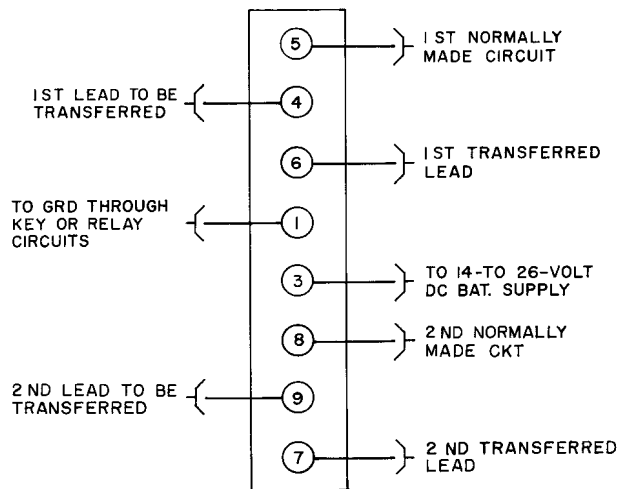


Fig. 1 — 17B KTU Connections
 Ref: CD- and SD-69091-01

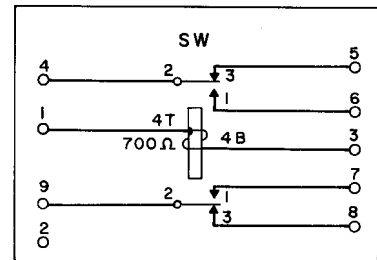


Fig. 2 — 17B KTU Switching Relay Circuit