

18D AND 18E KEY TELEPHONE UNITS  
 BUSY AND SUPERVISORY RELAY CIRCUITS  
 CONNECTIONS

*18E KTU + 18D KTU + 30A KTU  
 USED IN DRY TIP TRK. CCT.*

1.00 GENERAL

The 18D and 18E KTU are designed to be used in the supervisory and busy lamp circuit in manual and dial areas. They are used when the system is arranged for control of line lamps and locked-in ringup circuits. They are identical except for the adjustment of the *B* relay. The 18E is used when the system is associated with a 555-type PBX station.

2.00 CONNECTIONS

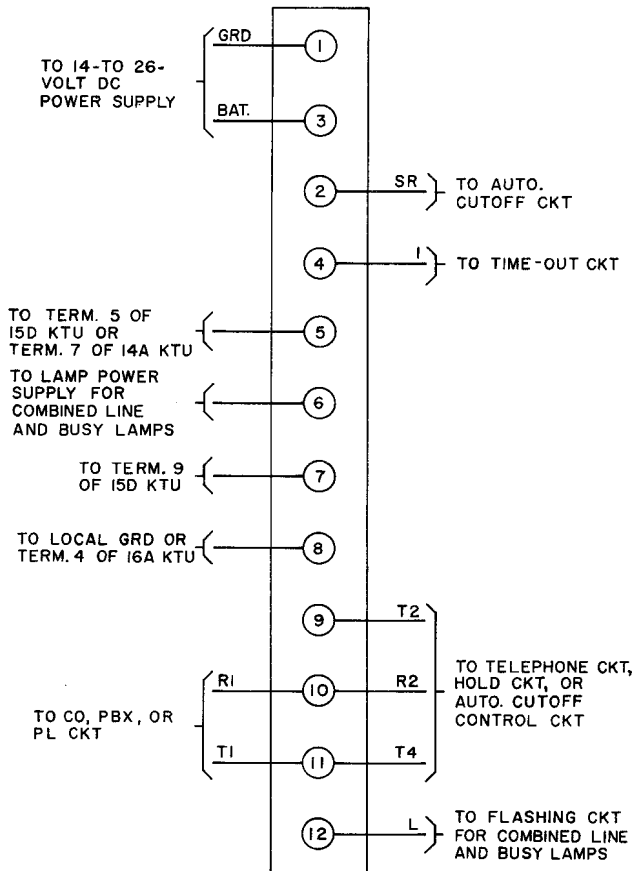


Fig. 1 - 18D or 18E KTU Connections  
 Ref: CD- and SD-69091-01

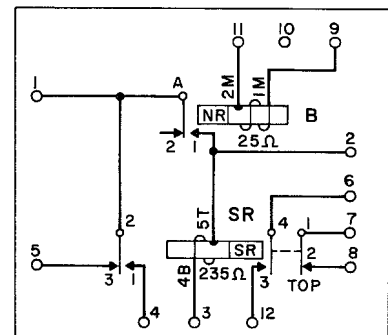


Fig. 2 - 18D or 18E KTU  
 Busy and Auxiliary  
 Relay Circuit