

19B KEY TELEPHONE UNIT
LAMP FLASHING CIRCUIT
CONNECTIONS

1.00 GENERAL

The 19B KTU is a lamp flashing circuit designed to operate a maximum of six separate lamp circuits.

2.00 CONNECTIONS

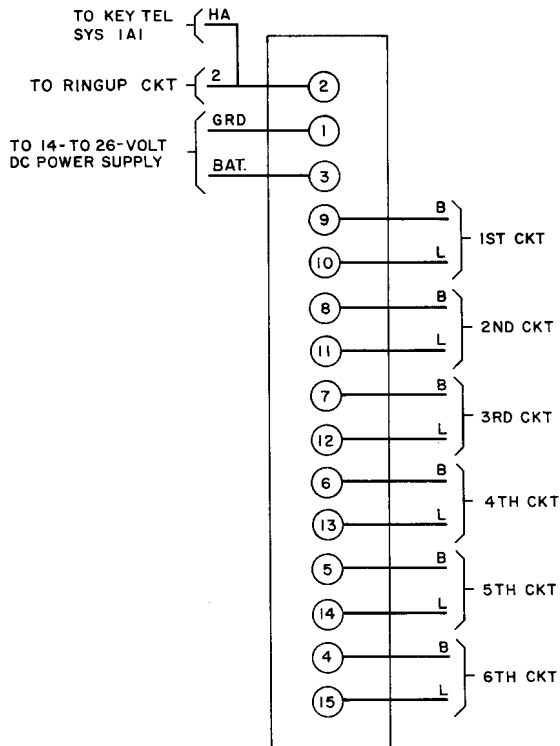


Fig. 1 - 19B KTU Connections
 Ref: CD- and SD-69091-01

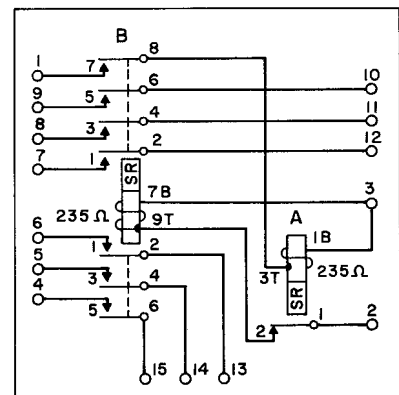


Fig. 2 - 19B KTU Lamp Flashing Circuit