

**25B KEY TELEPHONE UNIT**  
**AUTOMATIC CUTOFF CONTROL CIRCUIT**

**26B KEY TELEPHONE UNIT**  
**AUTOMATIC CUTOFF CONTROL CIRCUIT**

**29A KEY TELEPHONE UNIT**  
**CUT THROUGH RELAY CIRCUIT**

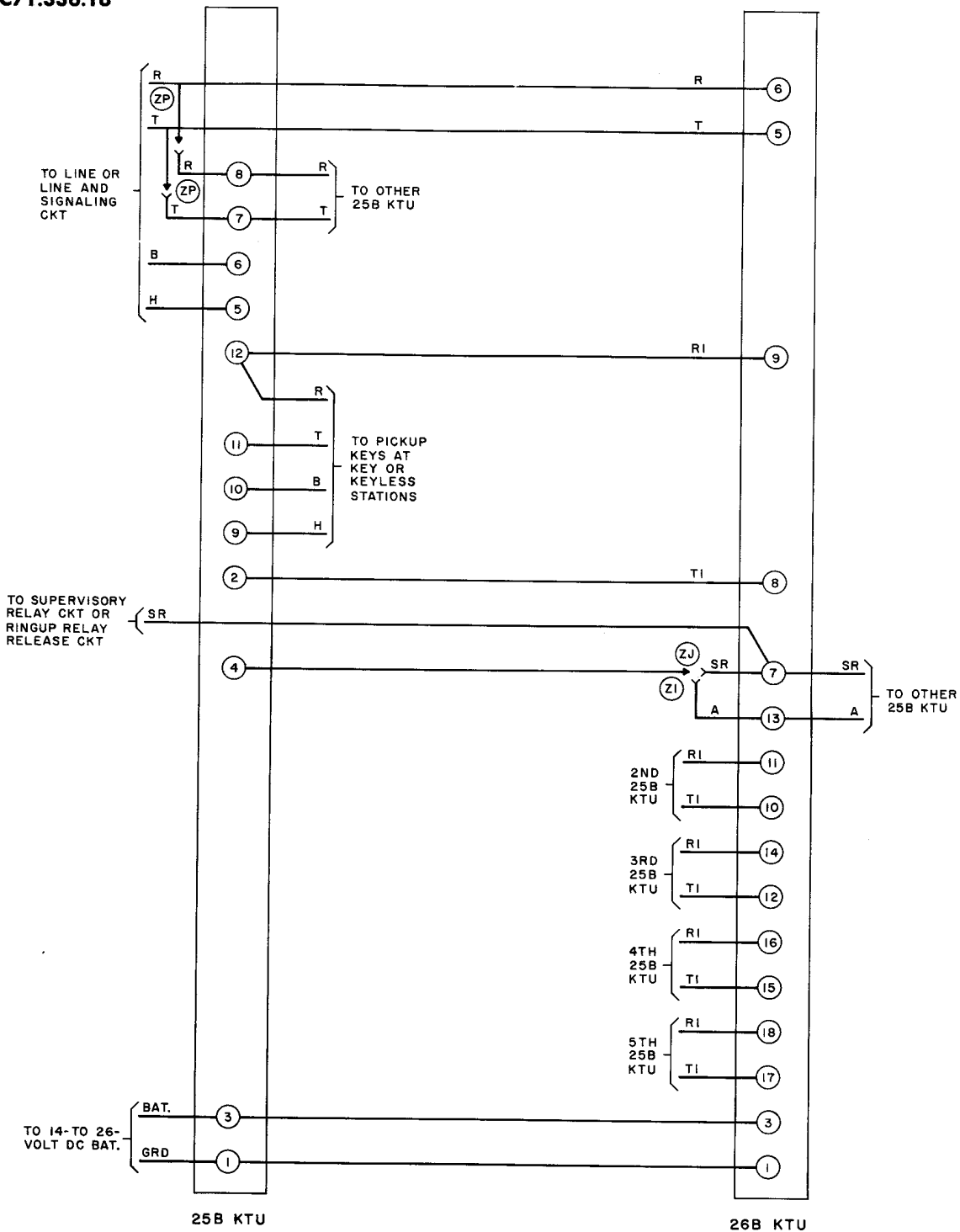
**CONNECTIONS**

**1.00 GENERAL**

The 25B KTU is used to control the automatic cutoff circuit (26B KTU). One 25B KTU is required per station and one 26B KTU is required per five stations. The 29A KTU is intended for use with the dial selective intercom circuit to provide flashing line lamps. One is required per station.

**2.00 CONNECTIONS (Fig. 1 and 2)**

SECTION C71.336.16

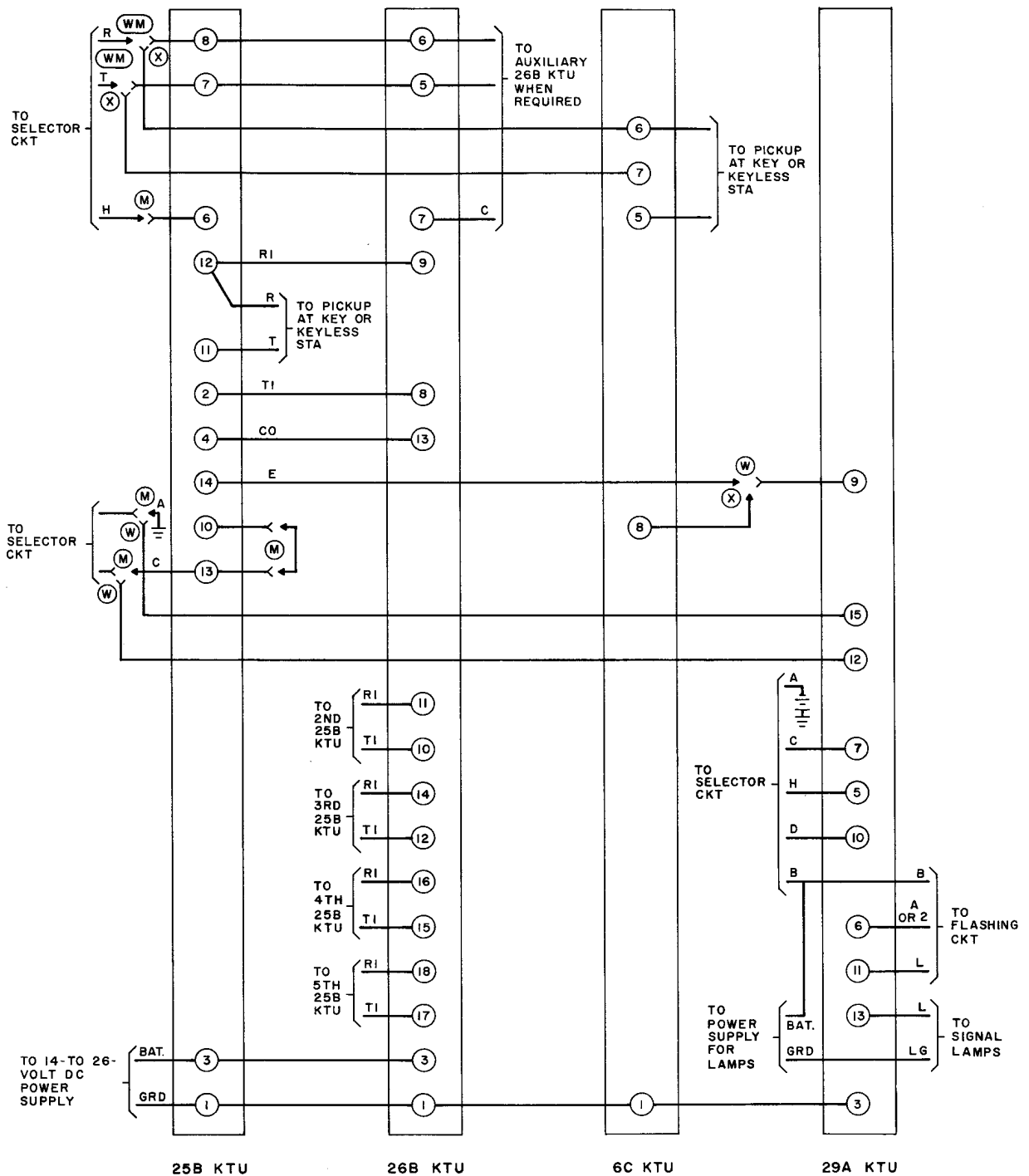


**Note 1:** ZP and ZI wiring for stations which can cut off other stations.

**Note 2:** ZP and ZJ wiring for stations which cannot cut off other stations but can be cut off except when on the line.

**Note 3:** ZJ wiring for stations which cannot cut off other stations but can be cut off at any time.

**Fig. 1 — 25B and 26B KTU Connections for Automatic Cutoff for CO, PBX, or PL Circuits**  
 Ref: CD- and SD-69091-01



**Note 1:** *M* wiring — Automatic cutoff without flashing line lamps provides one 25B KTU per station and one 26B KTU per line per five stations.

**Note 2:** *X* wiring — Flashing line lamps without automatic cutoff provide one 6C KTU and one 29A KTU per station.

**Note 3:** *W* wiring — Automatic cutoff with flashing line lamps provides one 25B KTU per station and one 26B KTU per line per five stations and one 29A KTU per station.

**Fig. 2 — 25B, 26B, 6C, and 29A KTU Connections for Automatic Cutoff and/or Flash Line Lamp for Intercom Line with Dial Selection of Stations Ref: CD- and SD-69199-01**

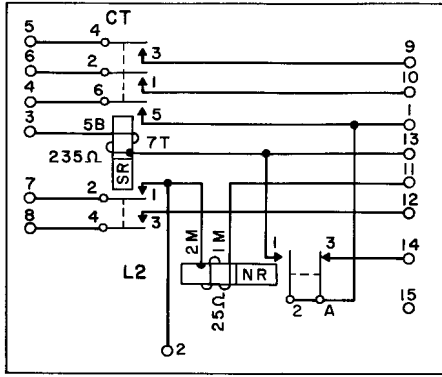


Fig. 3 - 25B KTU Automatic Cutoff Control Circuit

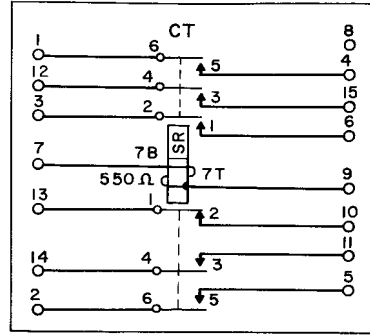


Fig. 4 - 29A KTU Cut-Through Relay Circuit

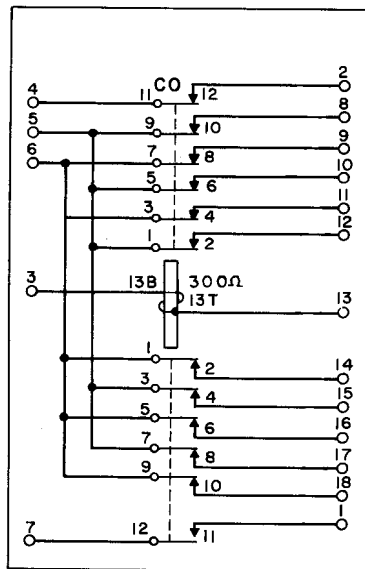


Fig. 5 - 26A KTU Automatic Cutoff Control Circuit