

30A KEY TELEPHONE UNIT

TIME-OUT CIRCUIT

CONNECTIONS

*30A KTU + 15A KTU + 18E KTU
 USED IN DRY TIP TRK - OCT.*

1.00 GENERAL

The 30A KTU is used as an automatic time-out circuit to release locked-in visual and audible signals. One is required per system.

2.00 CONNECTIONS

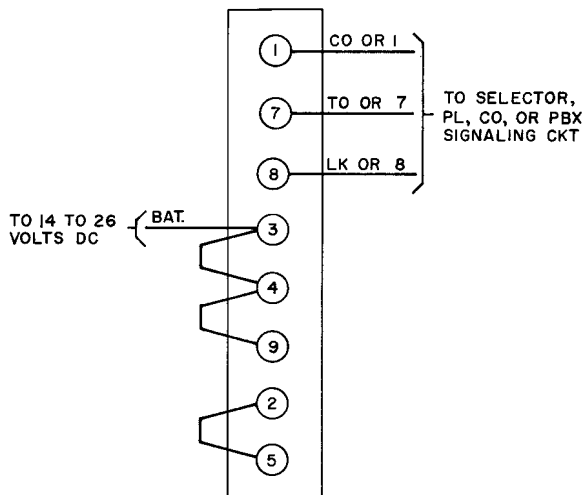
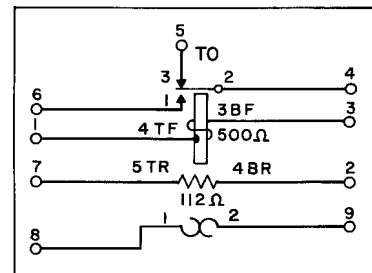


Fig. 1 - 30A KTU Connections
 Ref: CD- and SD-69091-01



**Fig. 2 - 30A KTU
 Time-out
 Circuit**