

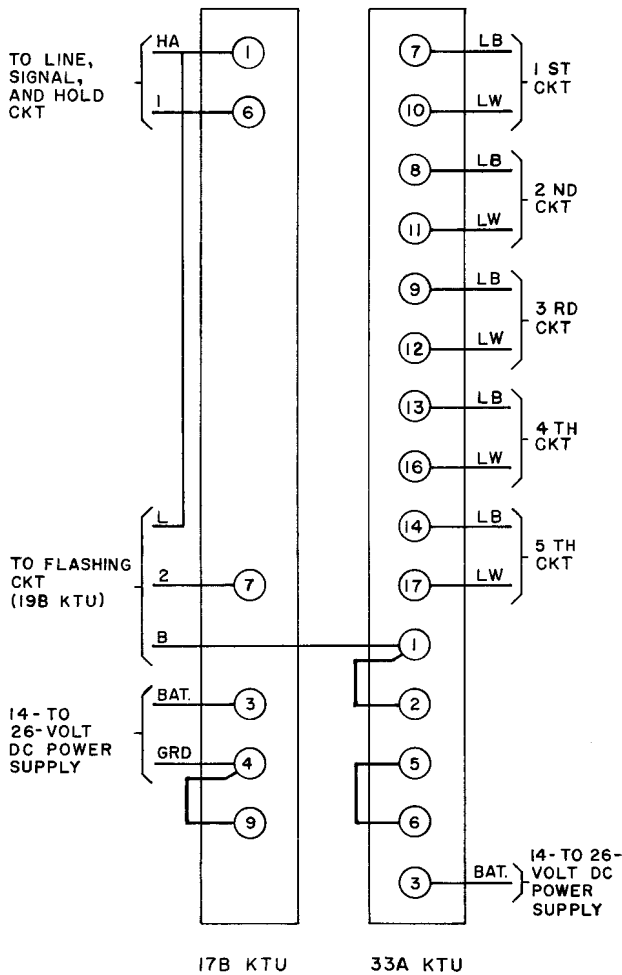
**33A KEY TELEPHONE UNIT**  
**LAMP WINK CIRCUIT**  
**CONNECTIONS**

**1.00 GENERAL**

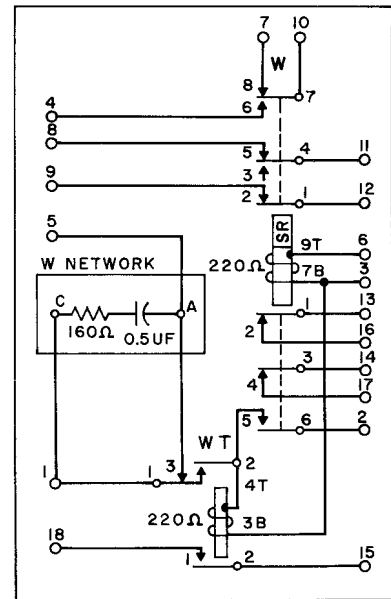
**1.01** The wink hold circuit is used on systems where the flashing circuit (19B KTU) is provided. The lamp circuit is opened approximately 30 milliseconds per second giving the appearance of a wink, thus indicating the line is being held.

**1.02** The 33A KTU and associated 17B KTU provide the lamp wink circuit for five lines.

**2.00 CONNECTIONS**



**Fig. 1 - 33A KTU Connections**  
**Ref: CD- and SD-69091-01**



**Fig. 2 - 33A KTU Lamp Wink Circuit**