

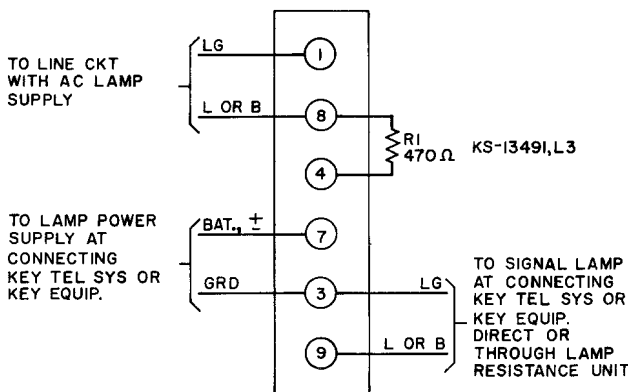
**LAMP RELAY CIRCUITS**  
**FOR CONNECTING SYSTEMS**  
**HAVING SEPARATE POWER SUPPLIES**  
**CONNECTIONS**

**1.00 GENERAL**

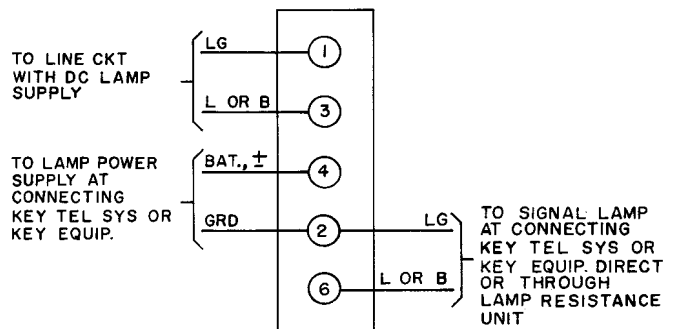
When a line circuit is associated with more than one key telephone system or key equipment and the lamp grounds are not common, the lamps at each system are to be operated from their own power supply by means of auxiliary relays. If the lamp supply is ac, a 16A KTU is used and if the lamp supply is dc, a 17B KTU is used.

NOTE  
 ↙

**2.00 CONNECTIONS**



**Fig. 1 - 16A KTU Connections**  
 Ref: CD- and SD-69091-01



**Fig. 2 - 17B KTU Connections**  
 Ref: CD- and SD-69091-01