

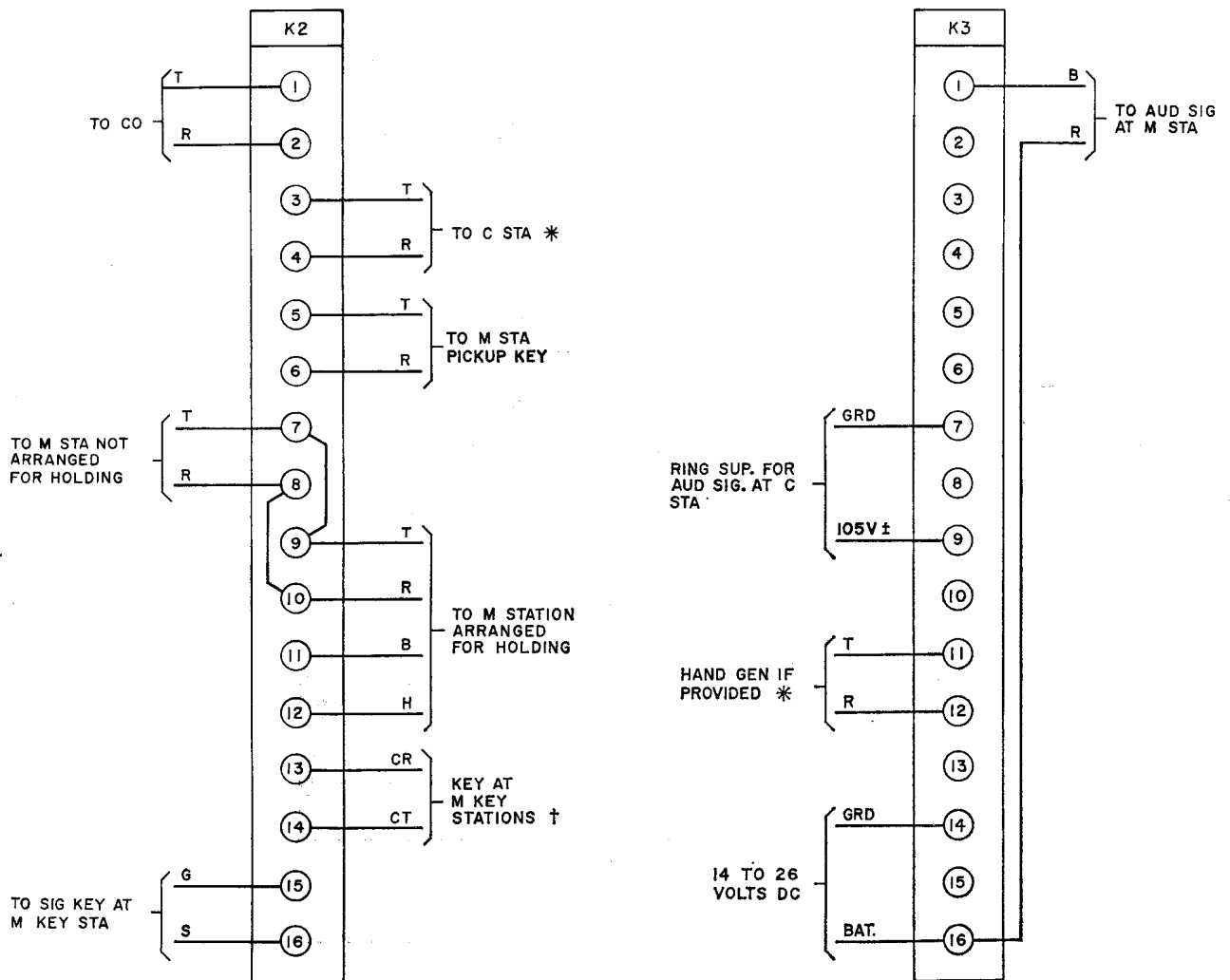
56A KEY TELEPHONE UNIT PRIVATE LINE CIRCUIT CONNECTIONS

1.00 GENERAL

This circuit provides facilities for connecting the main station later referred to as the M station and the controlled station later referred to as the C station to a central office line. It also provides

for connecting the M and C stations together by private line which is the extension of the central office line from the M station to the C station.

2.00 CONNECTIONS (See Fig. 1 and 2)



* If hand generator is provided, omit ringing supply on 7 and 9 of K3 and the S and G leads on 15 and 16 of K2.

† In KTU connect GN-W and R-W conductors to CT terminal. In external keys other than 6040C and 6041C, strap CT and LR terminals. In the 6040C and 6041C key, strap the CT and ON1.

Fig. 1 — 56A KTU Connections
 Ref: CD- and SD-69105-01

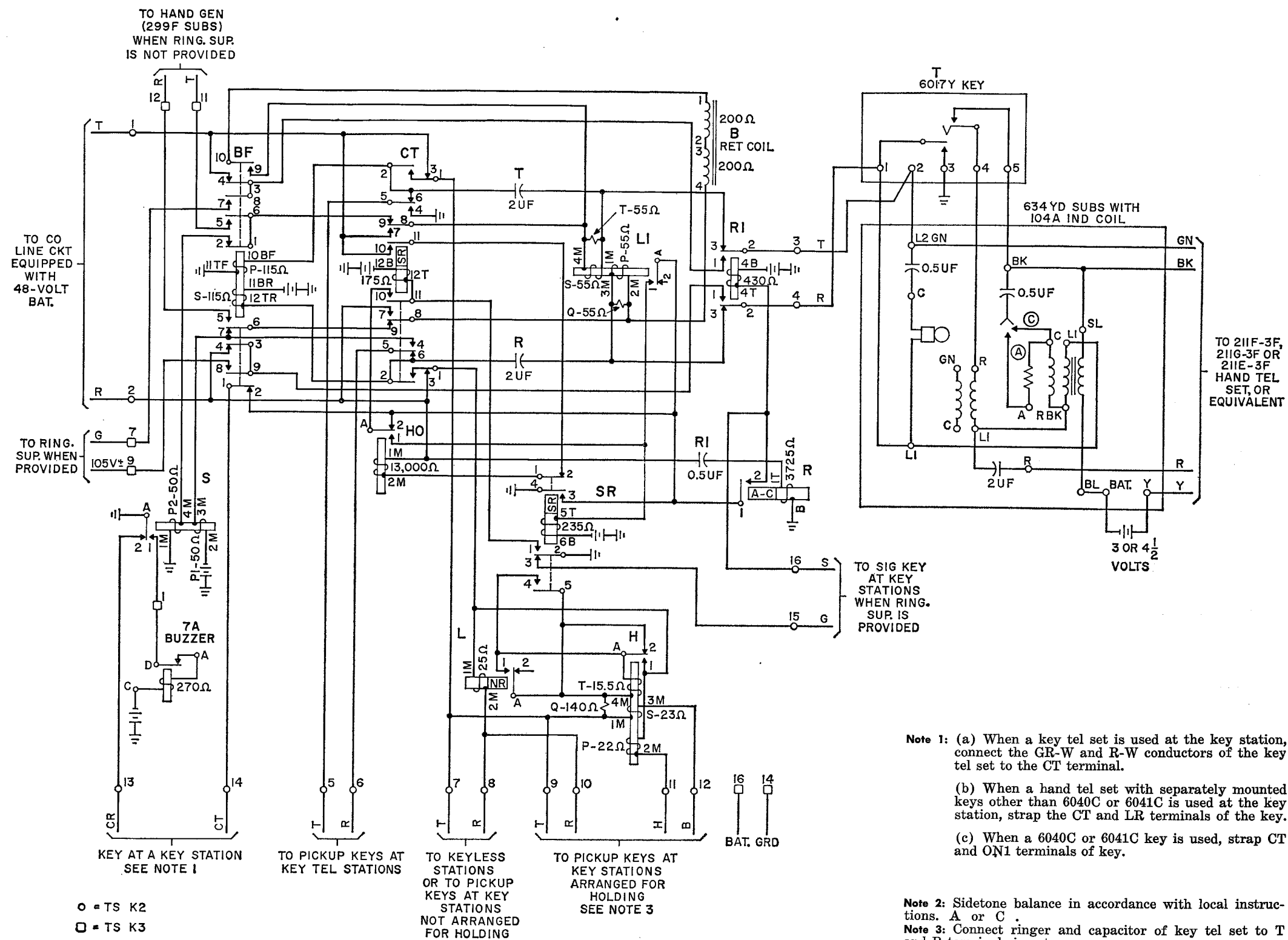


Fig. 2 - 56A KTU