

34A KEY TELEPHONE UNIT

MAKE-BUSY LAMP AND KEY CIRCUIT

FOR CENTRAL OFFICE OR PBX LINES

CONNECTIONS

1.00 GENERAL

1.01 The 34A KTU is used to busy a central office or PBX line or a group of lines to incoming traffic. Outgoing traffic is not affected.

1.02 The circuit would primarily be used on large installations where a group of lines would be made busy during off-peak hours.

1.03 This circuit connects to standard central office or PBX common equipment circuits which provide a make-busy feature. A separate control pair is required to the central office or PBX equipment for each line or group of lines made busy.

1.04 A key assembly is required at each station originating this circuit. Key assemblies con-

trolling the same line or group of lines may be multiplied. Key assemblies must be assembled in the field. Ordering information is as follows:

- Cap Lamp, 2S (green)
- Key, 552M (nonlocking)
- Mounting Jack, 255A
- Socket Lamp, 47B

1.05 Any standard switchboard lamp may be used depending on the power supply available on the job. 51A lamps require a P-471885 adapter.

2.00 CONNECTIONS

Refer to CD and SD-69419-01.

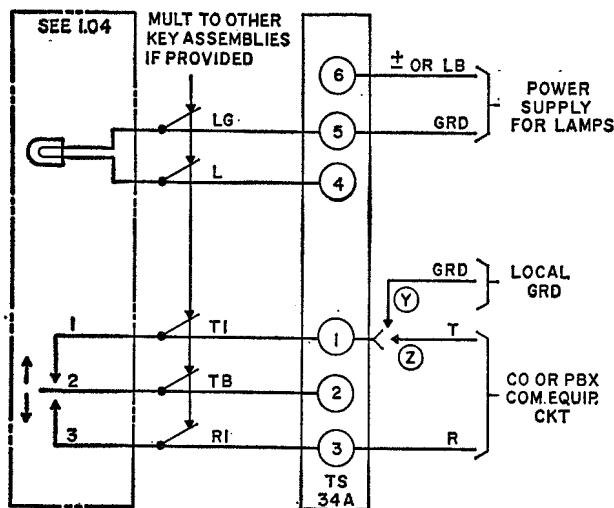


Fig. 1 - 34A KTU Connections
 for Key Assembly

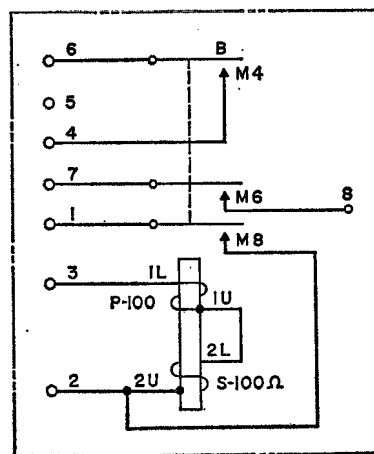


Fig. 2 - 34A KTU