

1A1 KEY TELEPHONE SYSTEM
DIAL SELECTIVE INTERCOMMUNICATING LINES,
BUSY LAMPS, AND AUDIBLE SIGNAL
USING 207A, 207B, OR 207C KEY TELEPHONE UNIT
CONNECTION DATA

1.00 GENERAL

1.01 This section covers connections at the apparatus cabinet for dial selective intercommunicating lines equipped with busy lamps and/or audible signal.

1.02 When more than three key or running cables are terminated at the apparatus cabinet, a 201A, 201B, or 228A KTU should be used as a bridging unit to provide the required additional terminals.

1.03 If the single-spurt audible signal seems to be less than one second in duration, check the wiring connections of KS-13491, List 2 47-ohm *A* and *B* resistors. The *A* resistor from the *T* relay should terminate on punching 3 of KS-16171 *A* capacitor; the resistor from the *B* relay should terminate on punching 2 of the *A* capacitor.

1.04 Due to extensive changes marginal arrows have been omitted.

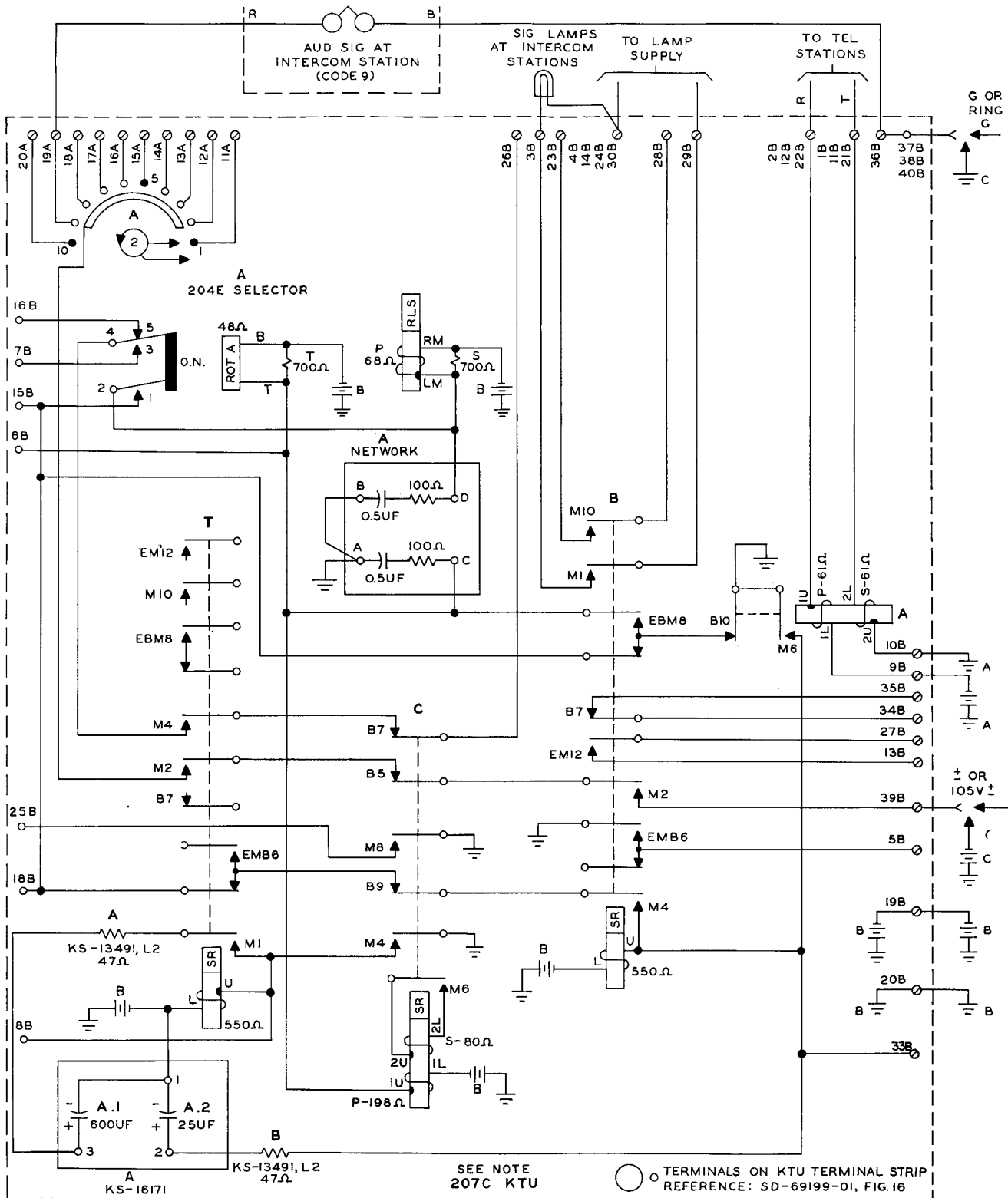
2.00 CONNECTIONS

2.01 The connection drawing shows the necessary terminations to be made for power and key or running cable from intercommunicating key telephone stations (see Fig. 2).

2.02 The connection drawing is supplemented by a feature circuit drawing (see Fig. 1). This drawing has been included as an aid for clearing possible cases of trouble which might be encountered.

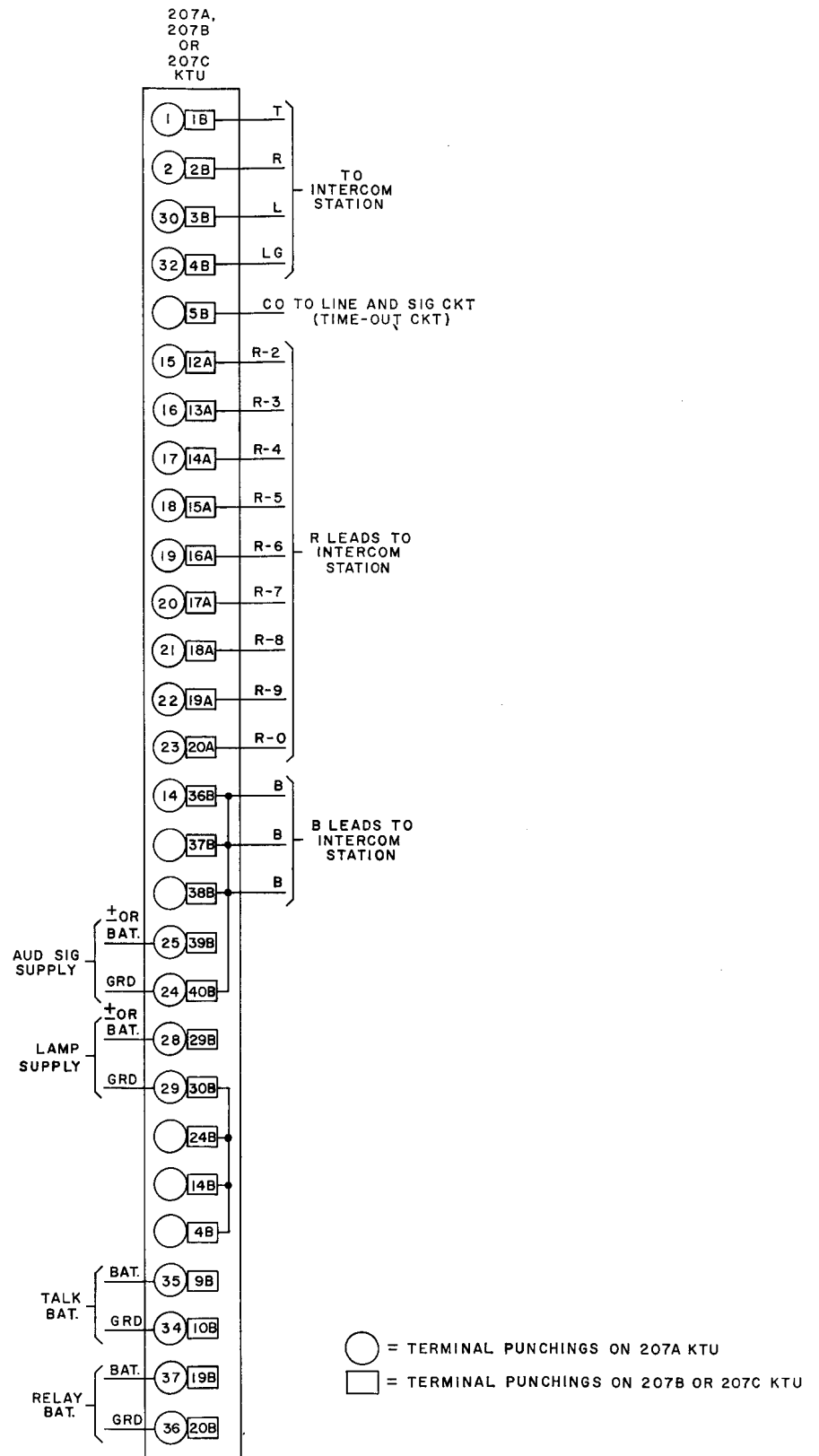
3.00 DESCRIPTION OF OPERATION

For description of operation covering the 207A, 207B, or 207C key telephone units, refer to point section 1 of this series.



Note 1: The 207B KTU is not equipped with ground or a strap from M8 of the C relay to terminal 25B.

Fig. 1 — Dial Selective Intercom Line Circuit —
207B and 207C KTU



**Fig. 2 — Dial Selective Intercom Line Circuit —
207A, 207B, or 207C KTU**