

1A1 KEY TELEPHONE SYSTEM
INTERCOMMUNICATING LINES
USING 31A OR 211A KEY TELEPHONE UNITS
(CONNECTION DATA)

1.00 GENERAL

- 1.01 This section covers connections at the apparatus cabinet for 31A or 211A key telephone units.
- 1.02 When more than three key or running cables are terminated at the apparatus cabinet, a 201A or 201B key telephone unit should be used as a bridging unit to provide the required additional terminals.

2.00 CONNECTIONS

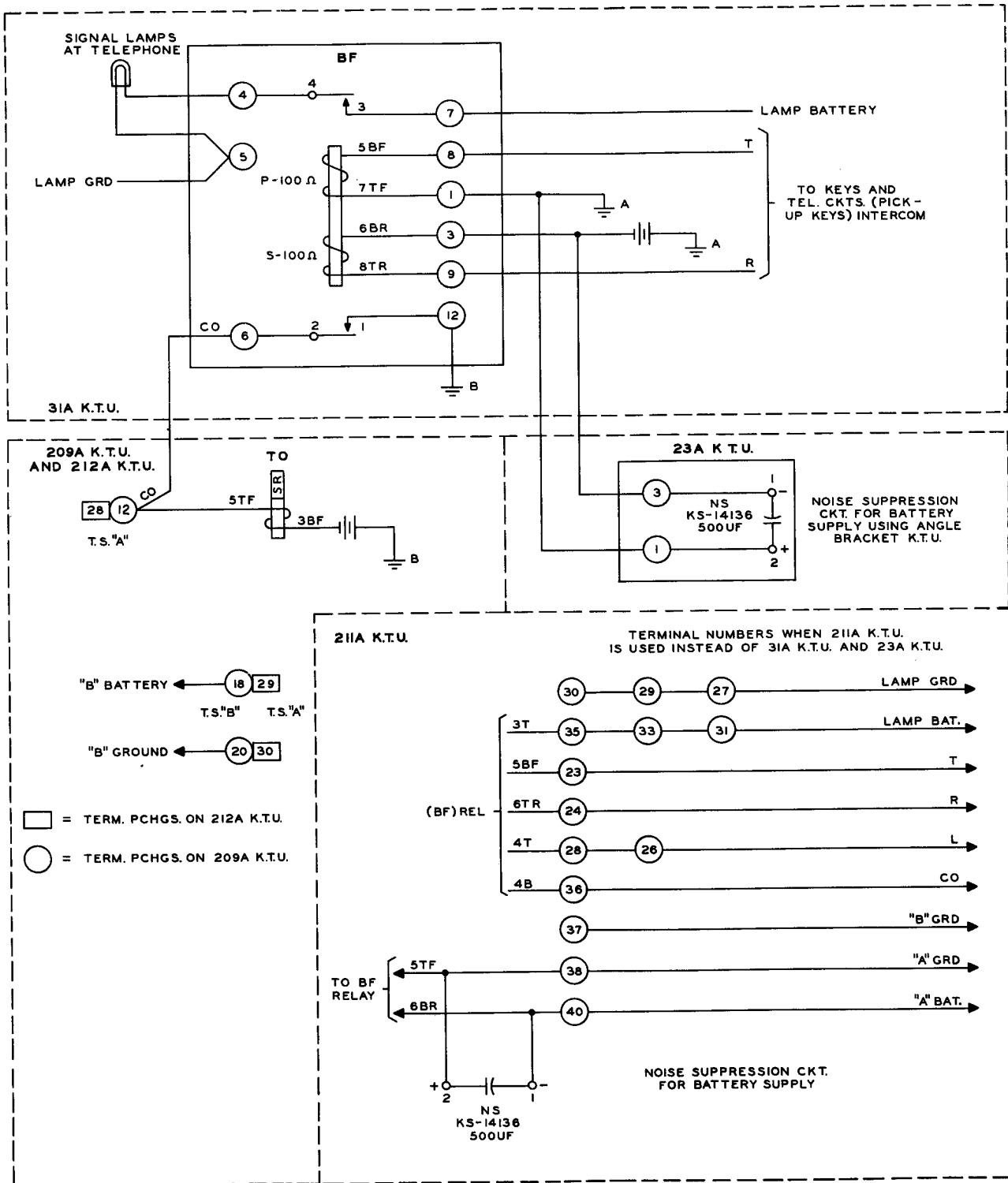
- 2.01 The connection drawing shows the necessary terminations to be made for power, and for key or running cable from intercommunicating key telephone stations (see Fig. 2).
- 2.02 The connection drawing is supplemented by a feature circuit drawing (see Fig. 1). This drawing has been

included as an aid for clearing possible cases of trouble which might be encountered.

- 2.03 If the 211A key telephone unit is equipped with the KS-14136 electrolytic capacitor, it shall be replaced by the KS-16485 electrolytic capacitor (see C Section covering 1A1 Key Telephone System, Maintenance).

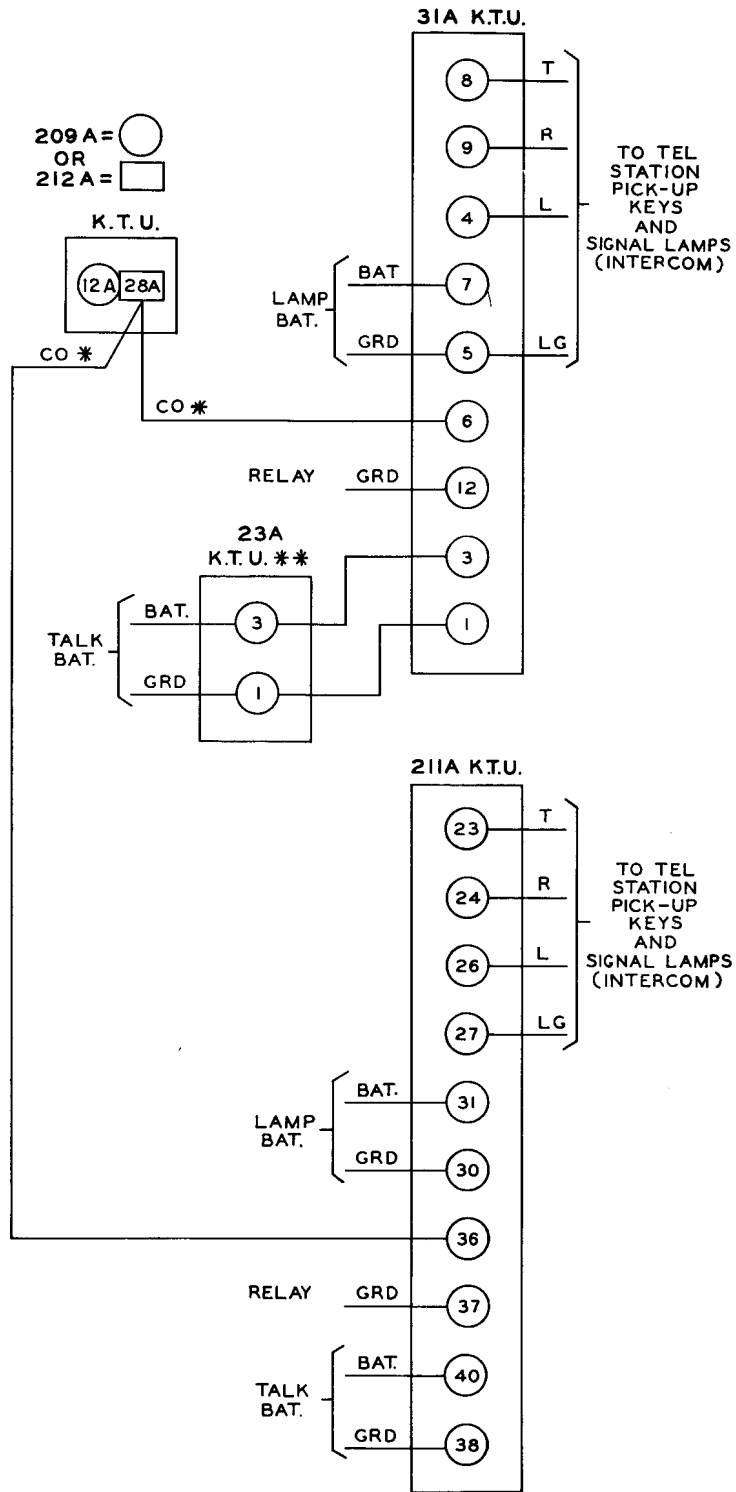
3.00 DESCRIPTION OF OPERATION

This intercommunicating line provides battery supply for the telephone sets which may be connected to it in parallel, by operating the associated pickup keys and removing the handset from the mounting. The current through the telephone set operates the (BF) relay which lights the signal lamps steady and operates the (TO) relay of the 209A or 212A key telephone unit. Signals other than the busy lamp must be provided separately as required.



REFERENCE: SD-69203, FIGS. 5, 6, 17, 21, 23, AND 55

FIG. 1 - INTERCOMMUNICATING LINE BATTERY FEED CIRCUIT - 23A, 31A, 209A, 211A, AND 212A KEY TELEPHONE UNITS



* CO LEAD TO TYPE UNIT BEING USED
31A OR 211A KEY TELEPHONE UNIT.

**23A K.T.U. USED WITH 31A K.T.U.
ONLY FOR NOISE SUPPRESSION.

FIG. 2 - INTERCOMMUNICATING LINE CIRCUIT
31A OR 211A KTU WITH 209A OR 212A
KTU