

KEY TELEPHONE SETS
440 AND 460 SERIES
COMMON BATTERY – CONNECTIONS

1.00 GENERAL

1.01 Associate the color of the drawing with the color of the features for each key telephone set on page 3, 5, 7, or 9.

1.02 For notes, common circuit, and connection information use fold-out sheet on page 9 and match with page 3, 5, or 7.

1.03 Due to extensive changes marginal arrows have been omitted.

2.00 INDEX

KEY TELEPHONE SETS
2ND CODE LETTER, A FOR MANUAL, C FOR DIAL
(Used with 1A)

Page 2 and 3			
440A	444A	460D	461F
440B	445A	460E	465A
440C	445B	460F	465B
440D	445C	461A	465C
441A	445D	461B	465D
441B	460A	461C	465E
441C	460B	461D	465F
441D	460C	461E	
Page 4 and 5			
440E	445E	460N	464H
440F	445F	461G	464M
440G	445G	461H	465G
441E	460G	461K	465H
441F	460H	461L	465K
441G	460K	461M	465L
444E	460L	461N	465M
444F	460M	464G	465N
Page 8 and 9			
460J	461J	465J	

KEY TELEPHONE SETS
2ND CODE LETTER, E FOR MANUAL, G FOR DIAL
(Used with 1A and 1A1)

Page 6 and 7			
440E	444F	464G	465K
440F	445E	464H	465L
440G	460G	464M	465M
441E	460H	465G	465N
444E	460M	465H	

3.00 TABLES

- A — Terminations at Connecting Block
- B — 1A and 1A1 Conversion
- C — Mounting-cord Connections for Signal Key
- D — Line Exclusion
- E — Cutoff of Ringer or Buzzer in Set
- F — Cutoff of External Circuits
- G — Key Telephone Set Features
- H — Ringer or Buzzer Connections
- I — Set Ringer or Buzzer Cut Off by Exclusion Key
- J — Textile-type Mounting-cord Connections (Double-tracer Type)
- K — Textile-type Mounting-cord Connections (Color-tracer Type)

4.00 CONNECTIONS

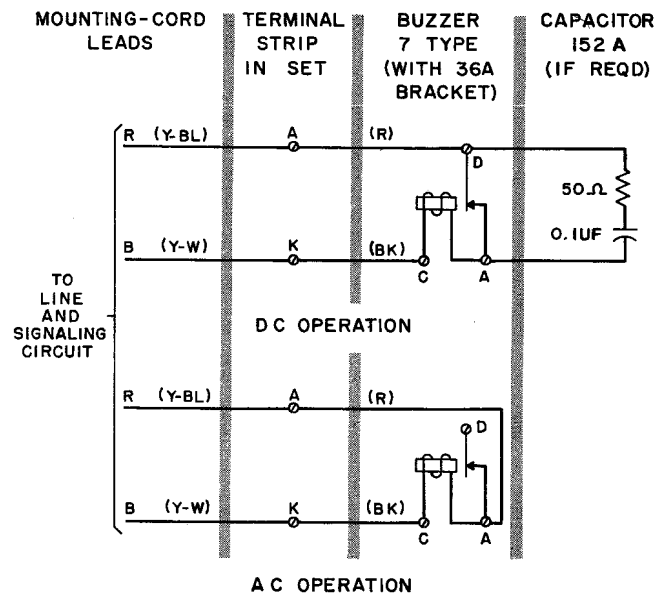


Fig. 1 — Buzzer Connections (See Note 5)

TABLE A
TERMINATIONS AT CONNECTING BLOCK—
VINYL-JACKETED MOUNTING CORD ONLY
 (See Notes 5 and 6)

Circuit	Lead Designation	Key Cable	Connecting Block		Mounting-cord Leads				
	IA Only		D Type	Term.		No.			
Line 1	R	BL	1	1	R				
	T		2			GN			
		OR	4		Block Nearest Cord Butt				
			5						
Line 2	R	GN	6			2	BL		
	T		7					W	
Lamp 6	L	BR	9				3	BR-R	
	LG		10						
Line 3	R	SL	3					Place Straps as Required	BR-Y
	T		8						
Signal	S ●	BL	1	4					BR-W
			2						
Line 4	R	OR	4		5				R-GN
	T		5						
Signal	S ●	GN	6			6			R-BK
	Signal		S ●						
Line 5	R	BR	9				7		R-W
	T		10						
Signal		SL	3					8	GN-BL
	Signal		S ●						
Line 6 or Signal Ground	R-G	BL	1	3					GN-W
	T		2						
Ringer or Buzzer	R	OR	4		Y-BL				Y-BL
	B		5						
Excluded Circuit	R	GN	6			BK-BL			BK-BL
	T		7						
		BR	9				SL-R		
			10						
Cutoff Circuit	R	SL	3					4	SL-Y
	T		8						
Lamp 1	L	BL	1	5					SL-BL
	LG		2						
Lamp 2	L	OR	4		6				SL-W
	LG		5						
Lamp 3	L	GN	6			7			SL-BR
	LG		7						
Lamp 4	L	BR	9				8		BR
	LG		10						
Lamp 5	L	SL	3					9	
	LG		8						

● See Table C

TABLE C
MOUNTING-CORD CONNECTIONS
FOR SIGNAL KEYS
 (See Note 5)

Key Features	Mounting-cord Leads				
	BR-W	R-BL	GN-BL	R-BK	GN-W
PPPS		S			G
PPSC	S				G
PPPPPS				S	G
PPPPSC			S		G
PPSSSS		S1	S2	S3	G
PPSSSS	S1	S2	S3	S4	G

TABLE D
LINE EXCLUSION

Exclusion	Exclusion-key Leads	
	R-Y	R-GN
On Any Line	R✕	T✕

✕ Terminal of line involved.

TABLE E
CUTOFF OF RINGER OR BUZZER IN SET
 (See Note 5)

Cutoff of	Ringer or Buzzer Leads		Capacitor Leads			Cutoff-key Leads		Mounting-cord Leads		
	R	BK	SL	Y	SL-R	R-W	GN-W	Y-W	SL-R	SL-GN
Bridged Ringer on Any Line	CR	K	K	CT	R✕	R✕	T✕	A	Tape and Store	
Bridged Ringer on Any Line When Used with Option 2 of Table F	X	K	K	T✕	R✕	T✕	R✕	A	CR	CT
Common or Private Line Ringer or Buzzer (See Note 3)	With Cap.	CT	See Note 4		K	L1	CR	A	K	CR
	Without Cap.	CT	K	K	K	L1	CR	A	K	CR

✕ Terminal of line involved.

TABLE F
CUTOFF OF EXTERNAL CIRCUITS

Cutoff of	Cutoff-key Leads	
	R-W	GN-W
Ring and Tip of Any Line	R✕	T✕
Ring and Tip of Any Line When Used with Option 2 of Table E (See Note 11)	T✕	R✕
Head Receiver Used as Listening-in Set	R*	GN*

✕ Terminal of line involved.
 * Terminal on induction coil.

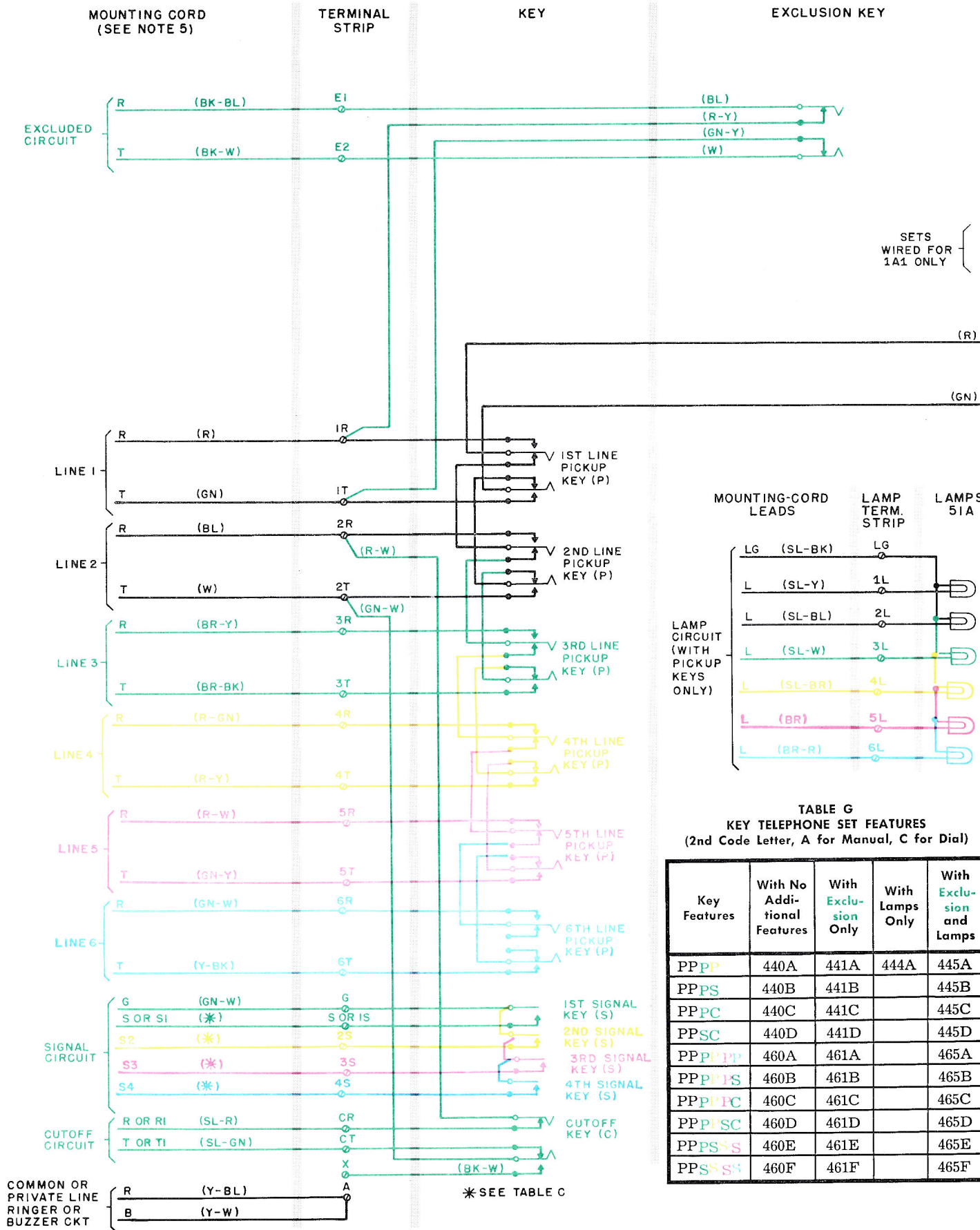


Fig. 2 — Key Telephone Sets (Pickup, Signaling, Cutoff, Lamps, and Exclusion — Wired for 1A)

TABLE A
TERMINATIONS AT CONNECTING BLOCK —
VINYL-JACKETED MOUNTING CORD ONLY
 (See Notes 5 and 6)

Circuit	Lead Designation	Key Cable	Connecting Block		Mounting-cord Leads
	1A Only		D Type	Term.	
Line 1	R	BL	1	Block Nearest Cord Butt	R.
	T		2		GN
Line 2	B	OR	4		Y
	H		5		BK
Line 3 or Signal	R	GN	6		BL
	T		7		W
Line 4 or Signal	B	BR	9		BR-R
	H		10		BR-GN
Line 5 or Signal	R	SL	3		BR-Y
	T		8		BR-BK
Signal Ground	B	BL	1	BR-BL	
	H-S ●		2	BR-W	
Ringer or Buzzer	R	OR	4	R-GN	
	T		5	R-Y	
Excluded Circuit	B	GN	6	R-BK	
	H-S ●		7	R-BL	
Cutoff Circuit	R	BR	9	R-W	
	T		10	GN-Y	
Lamp 1	B	SL	3	GN-BK	
	H-S ●		8	GN-BL	
Lamp 2	R	BL	1	GN-W	
	LG		2		
Lamp 3	R	OR	4	Y-BL	
	LG		5	Y-W	
Lamp 4	R	GN	6	BK-BL	
	LG		7	BK-W	
Lamp 5	B	BR	9	BL-W	
	H		10	SL	
Lamp 6	R	SL	3	SL-R	
	T		8	SL-GN	
Lamp 7	L	BL	1	SL-Y	
	LG		2	SL-BK	
Lamp 8	L	OR	4	SL-BL	
	LG		5		
Lamp 9	L	GN	6	SL-W	
	LG		7		
Lamp 10	L	BR	9	SL-BR	
	LG		10		
Lamp 11	L	SL	3	BR	
	LG		8		

● See Table C

TABLE C
MOUNTING-CORD CONNECTIONS
FOR SIGNAL KEYS
 (See Note 5)

Key Features	Mounting-cord Leads			
	BR-W	R-BL	GN-BL	GN-W
HPPS	S			G
HPPPPS			S	G
HPPPPSC		S		G
HPPPPSS		S1	S2	G
HPPSSS	S1	S2	S3	G

TABLE D
LINE EXCLUSION

Exclusion on	Exclusion-key Leads			
	R-Y	GN-Y	Y-BK	BK-W
Any Line (See Note 7)	R⊗	T⊗	B⊗	H⊗

⊗ Terminal of line involved.

TABLE E
CUTOFF OF RINGER OR BUZZER IN SET
 (See Note 5)

Cutoff of	Ringer or Buzzer Leads		Capacitor Leads			Cutoff-key Leads			Mounting-cord Leads	
	R	BK	SL	Y	SL-R	R-W	GN-W	Y-W	SL-R	SL-GN
Bridged Ringer on Any Line	CR	K	K	CT	R⊗	R⊗	T⊗	A	Tape and Store	
Bridged Ringer on Any Line When Used with Option 2 of Table F	X	K	K	T⊗	R⊗	T⊗	R⊗	A	CR	CT
Common or Private Line Ringer or Buzzer (See Note 3)	With Cap.	CT	See Note 4	K	L1	CR	A	K	CR	CR
	Without Cap.	CT	K	K	L1	CR	A	K	CR	CR

⊗ Terminal of line involved.

TABLE F
CUTOFF OF EXTERNAL CIRCUITS

Cutoff of	Cutoff-key Leads	
	R-W	GN-W
Ring and Tip of Any Line	R⊗	T⊗
Ring and Tip of Any Line When Used with Option 2 of Table E (See Note 11)	T⊗	R⊗
Head Receiver Used as Listening-in Set	R*	GN*

⊗ Terminal of line involved.
 * Terminal on induction coil.

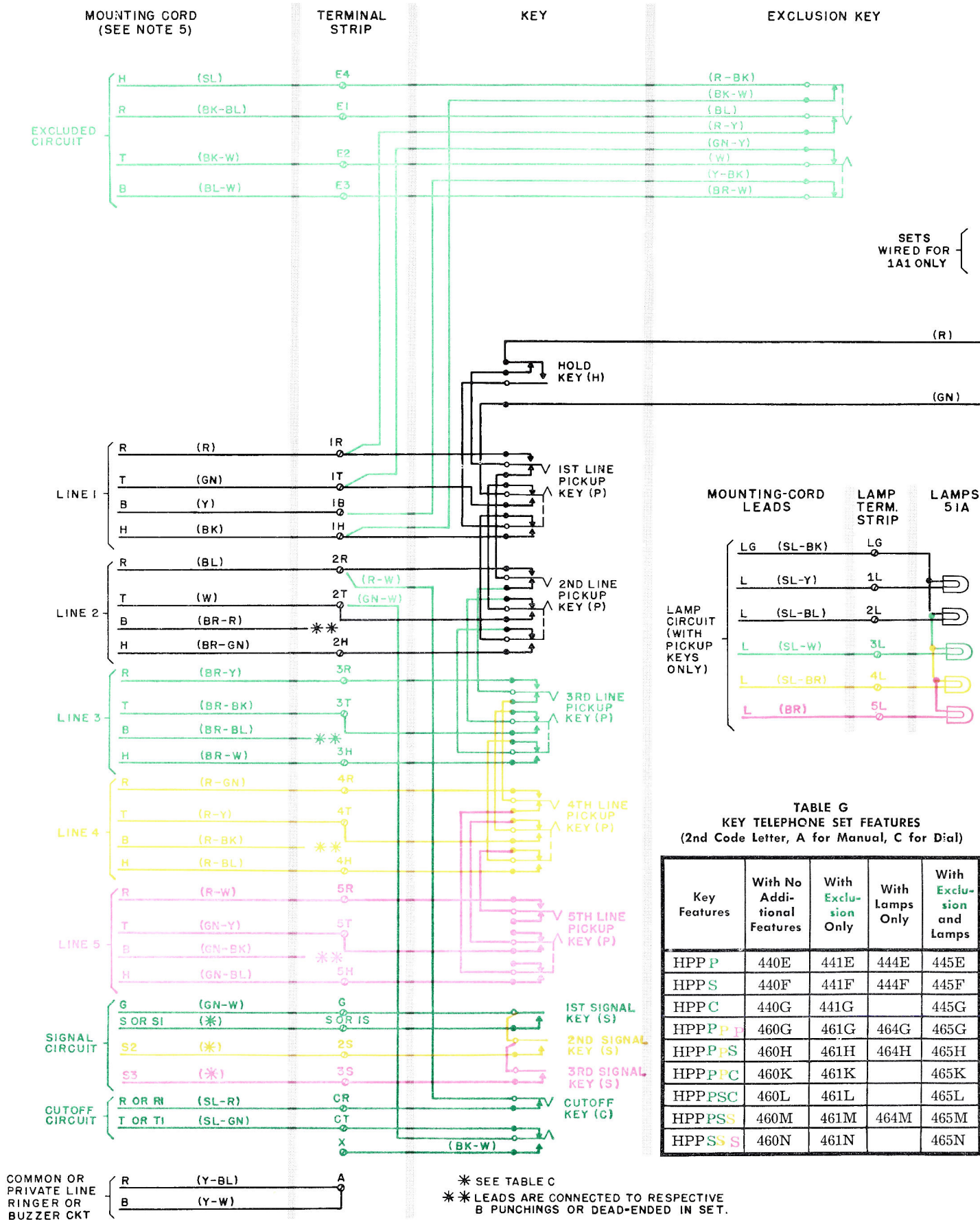


TABLE G
KEY TELEPHONE SET FEATURES
(2nd Code Letter, A for Manual, C for Dial)

Key Features	With No Additional Features	With Exclusion Only	With Lamps Only	With Exclusion and Lamps
HPP P	440E	441E	444E	445E
HPP S	440F	441F	444F	445F
HPP C	440G	441G		445G
HPP P P P	460G	461G	464G	465G
HPP P P S	460H	461H	464H	465H
HPP P P C	460K	461K		465K
HPP P S C	460L	461L		465L
HPP P S S	460M	461M	464M	465M
HPP S S S	460N	461N		465N

Fig. 3 — Key Telephone Sets (Hold, Pickup, Signaling, Cutoff, Exclusion, and Lamps — Wired for 1A)

TABLE A
TERMINATIONS AT CONNECTING BLOCK —
VINYL-JACKETED MOUNTING CORD ONLY
(See Notes 5 and 6)

Circuit	Lead Designations		Key Cable	Connecting Block		Mounting-cord Leads
	1A	1A1	D Type	Term.	No.	
Line 1	R	R	BL	1	Block Nearest Cord Butt	R
	T	T	W	2		GN
	B	A1	OR	4		Y
Line 2	H	A	W	5		BK
	R	R	GN	6		BL
	T	T	W	7		W
Line 3 or Signal	B	—	BR	9		BR-R
	H	A	W	10		BR-GN
Line 4 or Signal	R	R	SL	3		BR-Y
	T	T	W	8		BR-BK
Line 5 or Signal	B	—	BL	1	2	BR-BL
	H-S ●	A-S ●	R	2		BR-W
Line 4 or Signal	R	R	OR	4	3	R-GN
	T	T	R	5		R-Y
	B	—	GN	6		R-BK
Line 5 or Signal	H-S ●	A-S ●	R	7	R-BL	
	R	R	BR	9	R-W	
Signal Ground	T	T	R	10	GN-Y	
	B	—	SL	3	GN-BK	
Ringer or Buzzer	H-S ●	A-S ●	R	8	GN-BL	
	G	G	BL	1	4	GN-W
Excluded Circuit			BK	2		Y-BL
	R	R	OR	4	Y-W	
Cutoff Circuit	B	B	BK	5	BK-BL	
	T	T	GN	6	BK-W	
Lamp 1	B	▲	BR	9	BL-W	
	H	A	BK	10	SL	
Lamp 2	R	R	SL	3	SL-R	
	T	T	BK	8	SL-GN	
Lamp 3	L	L	BL	1	SL-Y	
	LG	LG	Y	2	SL-BK	
Lamp 4	L	L	OR	4	SL-BL	
	LG	LG	Y	5	SL-W	
Lamp 5	L	L	GN	6	SL-BR	
	LG	LG	Y	7	BR	
Lamp 5	L	L	BR	9		
	LG	LG	Y	10		
Lamp 5	L	L	SL	3		
	LG	LG	Y	8		

● See Table C.
▲ See Note 8.

TABLE E
CUTOFF OF RINGER OR BUZZER IN SET
(See Note 5)

Cutoff of	Ringer or Buzzer Leads		Capacitor Leads			Cutoff-key Leads			Mounting-cord Leads	
	R	BK	SL	Y	SL-R	R-W	GN-W	Y-W	SL-R	SL-GN
Bridged Ringer on Any Line	CR	K	K	CT	R*	R*	T*	A	Tape and Store	
Bridged Ringer on Any Line When Used with Option 2 of Table F	X	K	K	T*	R*	T*	R*	A	CR	CT
Common or Private Line Ringer or Buzzer (See Note 3)	With Cap.	CT	See Note 4		K	L1	CR	A	K	CR
	Without Cap.	CT	K	K	K	L1	CR	A	K	CR

* Terminal of line involved.

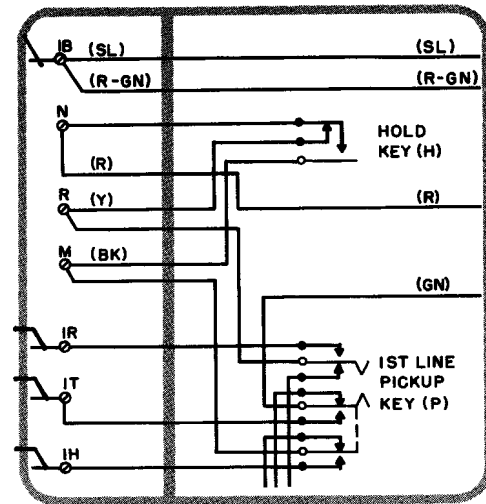


Fig. 4A — Wired for 1A

TABLE B
1A AND 1A1 CONVERSION
(All Terminals on Terminal Strip)

Key Telephone System	Switch Lead	Induction-coil Lead	Hold-key Leads	
	R-GN	R	Y	BK
1A	1B	N	R	M
1A1	N	R	M	N

TABLE C
MOUNTING-CORD CONNECTIONS
FOR SIGNAL KEYS
(See Note 5)

Key Features	Mounting-cord Leads			
	BR-W	R-BL	GN-BL	GN-W
HPPS	S			G
HPPPS			S	G
HPPSC		S		G
HPPSS		S1	S2	G
HPPSSS	S1	S2	S3	G

TABLE D
LINE EXCLUSION
(See Note 8)

Exclusion on	Key Telephone System	Exclusion-key Leads			
		R-Y	GN-Y	Y-BK	BK-W
Any Line (See Note 7)	1A	R*	T*	B*	H*
	1A1	R*	T*	Tape and Store	H*

* Terminal of line involved.

TABLE F
CUTOFF OF EXTERNAL CIRCUITS

Cutoff of	Cutoff-key Leads	
	R-W	GN-W
Ring and Tip of Any Line	R*	T*
Ring and Tip of Any Line When Used with Option 2 of Table E (See Note 11)	T*	R*
Head Receiver Used as Listening-in Set	R*	GN*
Controlled 1A1 Key Telephone System Station	CT	X

* Terminal of line involved.
* Terminal on induction coil.

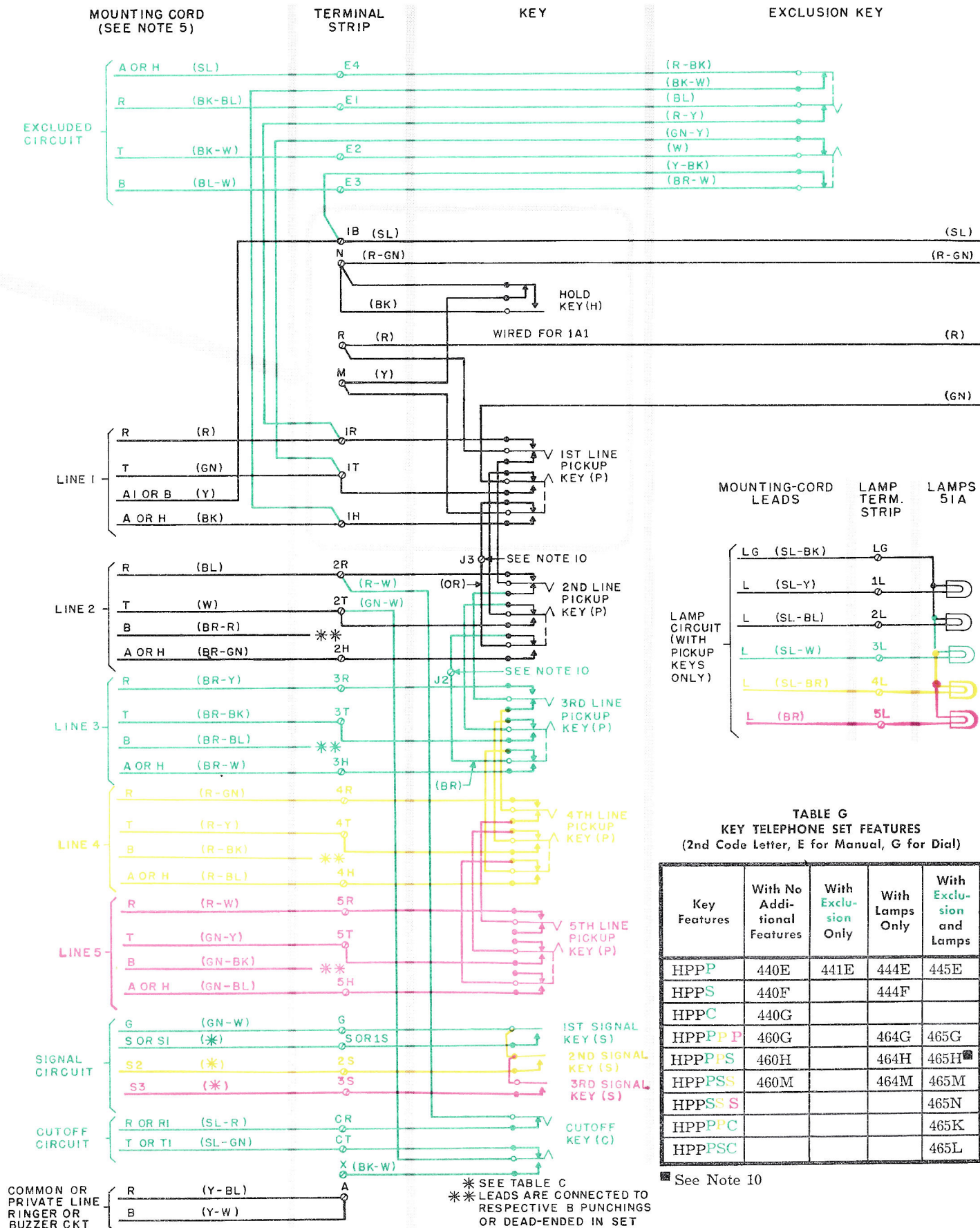


TABLE G
KEY TELEPHONE SET FEATURES
(2nd Code Letter, E for Manual, G for Dial)

Key Features	With No Additional Features	With Exclusion Only	With Lamps Only	With Exclusion and Lamps
HPPP	440E	441E	444E	445E
HPPS	440F		444F	
HPPC	440G			
HPPPP	460G		464G	465G
HPPPS	460H		464H	465H
HPPSS	460M		464M	465M
HPPSSS				465N
HPPPPC				465K
HPPPSC				465L

See Note 10

Fig. 4 – Key Telephone Sets (Hold, Pickup, Signaling, Cutoff, Exclusion, and Lamps – Wired for 1A and 1A1)

TABLE A
TERMINATIONS AT CONNECTING BLOCK
 (See Notes 5 and 6)

Circuit	Lead Designation	Key Cable	Connecting Block		Mounting-cord Leads				
	IA Only		D Type	Term.		No.			
Line 1	R	BL	1	1	R				
	T	W	2		GN				
	B	OR	4		Y				
	H	W	5		BK				
Line 2 and Signal	R	GN	6		Block Nearest Cord Butt	BL			
	T	W	7			W			
	S2 ●	BR	9			BR-GN			
Line 3 and Signal	R	SL	3			2	BR-Y		
	T	W	8				BR-BK		
Line 4 and Signal	S3 ●	BL	1				3	BR-W	
	R	R	2	R-GN					
	R	OR	4	R-Y					
	T	R	5	R-BL					
	S4 ●	GN	6	4					
	R	R	7						
		BR	9						
		R	10						
Signal Ground		SL	3		Place Straps				
		R	8						
Ringer or Buzzer	G	BL	1			3	GN-W		
		BK	2						
Excluded Circuit	R	OR	4				4	Y-BL	
	B	BK	5					Y-W	
	R	GN	6	BK-BL					
	T	BK	7	BK-W					
Lamp 1	B	BR	9	4				BL-W	
	H	BK	10					SL	
	L	SL	3						
	LG	BK	8						
Lamp 2	L	BL	1		4	SL-Y			
	LG	Y	2			SL-BK			
Lamp 3	L	OR	4			4	SL-BL		
	LG	Y	5						
Lamp 4	L	GN	6				4	SL-W	
	LG	Y	7						
	L	BR	9	4				SL-BR	
	LG	Y	10						
	SL		3					4	
	Y		8						

● See Table C

TABLE C
MOUNTING-CORD CONNECTIONS FOR SIGNAL KEYS
 (See Note 5)

Key Features	Mounting-cord Leads			
	BR-GN	BR-W	R-BL	GN-W
HPPP★P★S★		S3	S4	G
HPP★P★P★S★	S2	S3	S4	G

★ See Note 9. (Holding feature on 1st pick-up key only.)

TABLE D
LINE EXCLUSION

Exclusion on	Exclusion-key Leads			
	R-Y	GN-Y	Y-BK	BK-W
Line 1	1R	1T	1B	1H
Other than Line 1	R⊘	T⊘	Tape and Store	

⊘ Terminal of line involved.

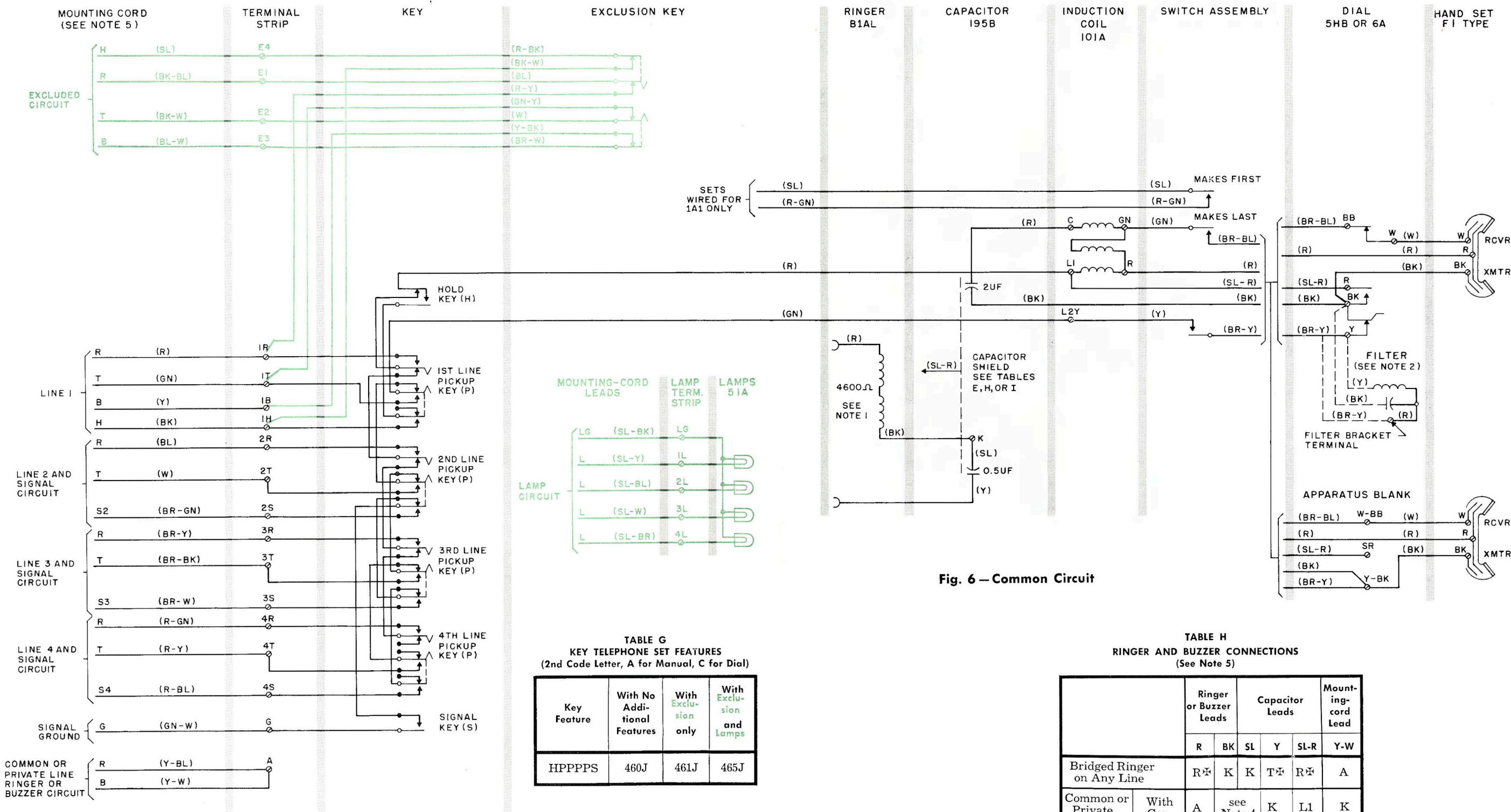


Fig. 6 - Common Circuit

**TABLE G
KEY TELEPHONE SET FEATURES
(2nd Code Letter, A for Manual, C for Dial)**

Key Feature	With No Additional Features	With Exclusion only	With Exclusion and Lamps
HPPPPS	460J	461J	465J

**TABLE H
RINGER AND BUZZER CONNECTIONS
(See Note 5)**

	Ringer or Buzzer Leads		Capacitor Leads			Mounting-cord Lead
	R	BK	SL	Y	SL-R	Y-W
Bridged Ringer on Any Line	R [⊗]	K	K	T [⊗]	R [⊗]	A
Common or Private Line Ringer or Buzzer (See Note 3)	With Cap.	A	see Note 4	K	L1	K
	Without Cap.	A	K	K	L1	K
Ringer Permanently Silenced	A	K	K	A	L1	A

⊗ Terminal of line involved.

Note 1: Ringers are factory-wired for ringing on line 1.

Note 2: When filter is used, remove BR-Y lead from Y terminal on dial and connect to filter terminal as indicated.

Note 3: Connect ringer without capacitor on all common, private, or intercommunicating lines unless otherwise specified.

Note 4: Terminate BK ringer lead and SL capacitor lead to spare terminal or to D-161488 connector.

Note 5: Tables A, C, E, H, and I, and all figures show connections for vinyl-jacketed mounting cords. See Tables J and K on pages 10, 11, and 12 for textile-jacketed mounting-cord connections.

Note 6: Select features from Table G for key telephone set being installed. Then select circuits involved from Table A for mounting-cord and key cable connections to connecting block. Individually tape and store any spare mounting-cord conductors at connecting block.

Note 7: Exclusion of key station on other than Line 1 when associated with 1A can be provided only if excluding set has B terminal on line to be excluded. See Table J or K.

Note 8: To advance the AI lead to excluded station, place strap at connecting block from terminal 4 of 1st block to terminal 9 of 3rd block.

Note 9: These pickup key options are used on private or intercommunicating lines with the signal key common to each line. The signal key will operate the signal circuit of each line when associated pickup key is depressed. Use S lead on 2nd, 3rd, or 4th line, as required, and G lead for common signal ground.

Note 10: Two additional terminals, J2 and J3, are provided on the 465H E/G key telephone set. (All other sets have BK strapping between keys). This set may be used with options described in Note 9. For 3rd and 4th keys used with common signaling, transfer BR lead from J2 terminal to S terminal. For 2nd, 3rd, and 4th lines used with common signaling, transfer OR lead from J3 terminal to S terminal.

Note 11: Reverse tip and ring at cutoff station or external ringer.

**TABLE I
SET RINGER OR BUZZER CUT OFF BY EXCLUSION KEY
(See Note 5)**

Exclusion On	Ringer or Buzzer Leads		Capacitor Leads			Exclusion-key Leads					Mounting-cord Leads	
	R	BK	SL	Y	SL-R	R-Y	GN-Y	BL	BK-W	Y-BK	BK-W	Y-W
Bridged Ringer on Any Line	E2	K	K	T [⊗]	R [⊗]	R [⊗]	R [⊗]	E2	Tape and Store If Provided	E1	K	A
Common or Private Line Ringer or Buzzer (See Note 3)	With Cap.	E2	see Note 4	K	L1	A	A	E2				
	Without Cap.	E2	K	K	L1	A	A	E2				

⊗ Terminal of line involved.

Fig. 5 - Key Telephone Sets (Hold, Pickup, Exclusion, Lamps, and Common Signal Key - Wired for 1A)

TABLE J
TEXTILE-TYPE MOUNTING-CORD CONNECTIONS
(Double-tracer Type)

Key Telephone Sets	2nd Code Letter		MOUNTING-CORD LEADS										
	Manual	Dial	R	GN	Y	BK	BL	W	R-R	GN-GN	Y-Y	BK-BK	
440A	A	C	1R	1T	2R	2T	3R	3T	4R	4T	A	A*	
440B	A	C	1R	1T	2R	2T	3R	3T	S	G	A	A*	
440C	A	C	1R	1T	2R	2T	3R	3T	CR	CT	A	A*	
440D	A	C	1R	1T	2R	2T	S	G	CR	CT	A	A*	

* Transfer this conductor in place of Y-W vinyl-jacketed mounting-cord conductor in Tables E, H, or I.

TABLE K
TEXTILE-TYPE MOUNTING-CORD CONNECTIONS
(Color-tracer Type)

Key Telephone Sets	2nd Code Letter		MOUNTING-CORD LEADS																																		
	Manual	Dial	R	GN	Y	BK	BL	W	BR-R	BR-GN	BR-Y	BR-BK	BR-BL	BR-W	R-GN	R-Y	R-BK	R-BL	R-W	GN-Y	GN-BK	GN-BL	GN-W	Y-BK	Y-BL	Y-W	BK-W	BL-W	BK-BL	SL	BR-SL	R-SL	GN-SL	Y-SL			
440E	A	C	1R	1T	1B	1H	2R	2T	E4	2H	3R	3T	3B	3H	A	A*																					
440E	E	G	1R	1T	1B	1H	2R	2T	2B	2H	3R	3T	3B	3H	A	A*																					
440F	A	C	1R	1T	1B	1H	2R	2T	2B	2H	S	G	A	A*																							
440F	E	G	1R	1T	1B	1H	2R	2T	2B	2H	S	G	A	A*																							
440G	A	C	1R	1T	1B	1H	2R	2T	2B	2H	CR	CT	A	A*																							
440G	E	G	1R	1T	1B	1H	2R	2T	2B	2H	CR	CT	A	A*																							
441A	A	C	1R	1T	2R	2T	3R	3T	4R	4T	E1	E2	A	A*																							
441B	A	C	1R	1T	2R	2T	3R	3T	S	G	E1	E2	A	A*																							
441C	A	C	1R	1T	2R	2T	3R	3T	CR	CT	E1	E2	A	A*																							
441D	A	C	1R	1T	2R	2T	S	G	CR	CT	E1	E2	A	A*																							
441E	A	C	1R	1T	1B	1H	2R	2T	2B	2H	3R	3T	3B	3H	E1	E2	E3	E4	A	A*																	
441E	E	G	1R	1T	1B	1H	2R	2T	2B	2H	3R	3T	3B	3H	E1	E2	E3	E4	A	A*																	
441F	A	C	1R	1T	1B	1H	2R	2T	2B	2H	S	G	E1	E2	E3	E4	A	A*																			
441G	A	C	1R	1T	1B	1H	2R	2T	2B	2H	CR	CT	E1	E2	E3	E4	A	A*																			
444A	A	C	1R	1T	2R	2T	3R	3T	4R	4T	LG	1L	2L	3L	4L	E1	A	A*																			
444E	A	C	1R	1T	1B	1H	2R	2T	2B	2H	3R	3T	3B	3H	LG	1L	2L	3L	A	A*																	
444E	E	G	1R	1T	1B	1H	2R	2T	2B	2H	3R	3T	3B	3H	LG	1L	2L	3L	A	A*																	
444F	A	C	1R	1T	1B	1H	2R	2T	2B	2H	LG	E1	1L	2L	S	G	A	A*																			
444F	E	G	1R	1T	1B	1H	2R	2T	2B	2H	LG	A♦	1L	2L	S	G	A	A*																			

* Transfer this conductor in place of Y-W vinyl-jacketed mounting-cord conductor in Tables E, H, or I.

♦ Spare conductor.

TABLE K (Cont)
TEXTILE-TYPE MOUNTING-CORD CONNECTIONS
(Color-tracer Type)

Key Telephone Sets	2nd Code Letter		MOUNTING-CORD LEADS																																			
	Manual	Dial	R	GN	Y	BK	BL	W	BR-R	BR-GN	BR-Y	BR-BK	BR-BL	BR-W	R-GN	R-Y	R-BK	R-BL	R-W	GN-Y	GN-BK	GN-BL	GN-W	Y-BK	Y-BL	Y-W	BK-W	BL-W	BK-BL	SL	BR-SL	R-SL	GN-SL	Y-SL				
445A	A	C	1R	1T	2R	2T	3R	3T	4R	4T	E1	E2	A◆	1L	LG	2L	3L	4L	A	A*																		
445B	A	C	1R	1T	2R	2T	3R	3T	S	G	LG	1L	2L	3L	E1	E2	A	A*																				
445C	A	C	1R	1T	2R	2T	3R	3T	CR	CT	LG	1L	2L	3L	E1	E2	A	A*																				
445D	A	C	1R	1T	2R	2T	S	G	CR	CT	LG	1L	2L	A◆	E1	E2	A	A*																				
445E	A	C	1R	1T	1B	1H	2R	2T	2B	2H	3R	3T	3B	3H	LG	1L	2L	3L	E1	E2	E3	E4	A	A*														
445E	E	G	1R	1T	1B	1H	2R	2T	2B	2H	3R	3T	3B	3H	LG	1L	2L	3L	E1	E2	E3	E4	A	A*														
445F	A	C	1R	1T	1B	1H	2R	2T	2B	2H	E4	E3	E1	E2	LG	A◆	1L	2L	S	G	A	A*																
445G	A	C	1R	1T	1B	1H	2R	2T	2B	2H	E4	E3	E1	E2	LG	A◆	1L	2L	CR	CT	A	A*																
460A	A	C	1R	1T	2R	2T	3R	3T	4R	4T	5R	5T	6R	6T	A	A*																						
460B	A	C	1R	1T	2R	2T	3R	3T	4R	4T	5R	5T	S	G	A	A*																						
460C	A	C	1R	1T	2R	2T	3R	3T	4R	4T	5R	5T	CR	CT	A	A*																						
460D	A	C	1R	1T	2R	2T	3R	3T	4R	4T	S	G	CR	CT	A	A*																						
460E	A	C	1R	1T	2R	2T	3R	3T	1S	G	2S	3S	A	A*																								
460F	A	C	1R	1T	2R	2T	1S	G	2S	3S	4S	X	A	A*																								
460G	A	C	1R	1T	1B	1H	2R	2T	E3	2H	3R	3T	E1	3H	4R	4T	E4	4H	5R	5T	E2	5H	A	A*														
460G	E	G	1R	1T	1B	1H	2R	2T	▲	2H	3R	3T	▲	3H	4R	4T	▲	4H	5R	5T	5B	5H	A	A*														
460H	A	C	1R	1T	1B	1H	2R	2T	E2	2H	3R	3T	E1	3H	4R	4T	E4	4H	S	G	A	A*																
460H	E	G	1R	1T	1B	1H	2R	2T	▲	2H	3R	3T	3B	3H	4R	4T	4B	4H	S	G	A	A*																
460J	A	C	1R	1T	1B	1H	2R	2T	E2	2S	3R	3T	E1	3S	4R	4T	E4	4S	X	G	A	A*																
460K	A	C	1R	1T	1B	1H	2R	2T	E2	2H	3R	3T	E1	3H	4R	4T	E4	4H	CR	CT	A	A*																
460L	A	C	1R	1T	1B	1H	2R	2T	E2	2H	3R	3T	E4	3H	S	G	CR	CT	A	A*																		
460M	A	C	1R	1T	1B	1H	2R	2T	E2	2H	3R	3T	E4	3H	1S	G	2S	X	A	A*																		
460M	E	G	1R	1T	1B	1H	2R	2T	2B	2H	3R	3T	3B	3H	1S	G	2S	X	A	A*																		
460N	A	C	1R	1T	1B	1H	2R	2T	E4	2H	1S	G	2S	3S	A	A*																						
461A	A	C	1R	1T	2R	2T	3R	3T	4R	4T	5R	5T	6R	6T	E1	E2	A	A*																				
461B	A	C	1R	1T	2R	2T	3R	3T	4R	4T	5R	5T	S	G	E1	E2	A	A*																				
461C	A	C	1R	1T	2R	2T	3R	3T	4R	4T	5R	5T	CR	CT	E1	E2	A	A*																				
461D	A	C	1R	1T	2R	2T	3R	3T	4R	4T	S	G	CR	CT	E1	E2	A	A*																				
461E	A	C	1R	1T	2R	2T	3R	3T	1S	G	2S	3S	E1	E2	A	A*																						
461F	A	C	1R	1T	2R	2T	1S	G	2S	3S	4S	X	E1	E2	A	A*																						
461G	A	C	1R	1T	1B	1H	2R	2T	●	2H	3R	3T	●	3H	4R	4T	▲	4H	5R	5T	▲	5H	E1	E2	E3	E4	A	A*										
461H	A	C	1R	1T	1B	1H	2R	2T	●	2H	3R	3T	●	3H	4R	4T	●	4H	S	G	E1	E2	E3	E4	A	A*												

* Transfer this conductor in place of Y-W vinyl-jacketed mounting-cord conductor in Tables E, H, or I.

◆ Spare conductor.

● Cord conductor cut off in set.

▲ Individually taped and stored in set.

TABLE K (Cont)
TEXTILE-TYPE MOUNTING-CORD CONNECTIONS
(Color-Tracer Type)

Key Telephone Sets	2nd Code Letter		MOUNTING-CORD LEADS																																					
	Manual	Dial	R	GN	Y	BK	BL	W	BR-R	BR-GN	BR-Y	BR-BK	BR-BL	BR-W	R-GN	R-Y	R-BK	R-BL	R-W	GN-Y	GN-BK	GN-BL	GN-W	Y-BK	Y-BL	Y-W	BK-W	BL-W	BK-BL	SL	BR-SL	R-SL	GN-SL	Y-SL						
461J	A	C	1R	1T	1B	1H	2R	2T	●	2S	3R	3T	●	3S	4R	4T	●	4S	X	G	E1	E2	E3	E4	A	A*														
461K	A	C	1R	1T	1B	1H	2R	2T	●	2H	3R	3T	●	3H	4R	4T	●	4H	CR	CT	E1	E2	E3	E4	A	A*														
461L	A	C	1R	1T	1B	1H	2R	2T	▲	2H	3R	3T	▲	3H	S	G	CR	CT	E1	E2	E3	E4	A	A*																
461M	A	C	1R	1T	1B	1H	2R	2T	▲	2H	3R	3T	▲	3H	1S	G	2S	X	E1	E2	E3	E4	A	A*																
461N	A	C	1R	1T	1B	1H	2R	2T	▲	2H	1S	G	2S	3S	E1	E2	E3	E4	A	A*																				
464G	A	C	1R	1T	1B	1H	2R	2T	●	2H	3R	3T	●	3H	4R	4T	●	4H	5R	5T	E1	5H	5L	E4	A	A*	LG	1L	2L	3L	4L									
464G	E	G	1R	1T	1B	1H	2R	2T	●	2H	3R	3T	●	3H	4R	4T	●	4H	5R	5T	5B	5H	5L	A◆	A	A*	LG	1L	2L	3L	4L									
464H	A	C	1R	1T	1B	1H	2R	2T	●	2H	3R	3T	●	3H	4R	4T	E4	4H	S	G	E3	4L	LG	1L	2L	3L	A	A*												
464H	E	G	1R	1T	1B	1H	2R	2T	●	2H	3R	3T	●	3H	4R	4T	4B	4H	S	G	A◆	4L	LG	1L	2L	3L	A	A*												
464M	A	C	1R	1T	1B	1H	2R	2T	E2	2H	3R	3T	E1	3H	LG	1L	2L	3L	1S	G	2S	X	A	A*																
464M	E	G	1R	1T	1B	1H	2R	2T	2B	2H	3R	3T	3B	3H	LG	1L	2L	3L	1S	G	2S	X	A	A*																
465A	A	C	1R	1T	2R	2T	3R	3T	LG	1L	4R	4T	2L	3L	5R	5T	4L	5L	6R	6T	A	A*	E1	E2	6L															
465B	A	C	1R	1T	2R	2T	3R	3T	LG	1L	4R	4T	2L	3L	5R	5T	4L	5L	E1	E2	G	S	A	A*																
465C	A	C	1R	1T	2R	2T	3R	3T	LG	1L	4R	4T	2L	3L	5R	5T	4L	5L	CR	CT	A	A*	E1	E2																
465D	A	C	1R	1T	2R	2T	3R	3T	LG	1L	4R	4T	2L	3L	CR	CT	4L	A◆	E1	E2	G	S	A	A*																
465E	A	C	1R	1T	2R	2T	3R	3T	2L	1L	1S	G	2S	3S	LG	3L	E1	E2	A	A*																				
465F	A	C	1R	1T	2R	2T	1S	G	2S	3S	LG	1L	2L	4S	E1	E2	A	A*																						
465G	A	C	1R	1T	1B	1H	2R	2T	●	2H	3R	3T	●	3H	4R	4T	●	4H	5R	5T	●	5H	E1	E2	E3	E4	A	A*	LG	1L	2L	3L	4L	5L						
465G	E	G	1R	1T	1B	1H	2R	2T	●	2H	3R	3T	●	3H	4R	4T	●	4H	5R	5T	●	5H	E1	E2	E3	E4	A	A*	LG	1L	2L	3L	4L	5L						
465H	A	C	1R	1T	1B	1H	2R	2T	●	2H	3R	3T	●	3H	4R	4T	●	4H	E1	E2	E3	E4	S	G	A	A*	LG	1L	2L	3L	4L									
465H	E	G	1R	1T	1B	1H	2R	2T	●	2H	3R	3T	●	3H	4R	4T	●	4H	E1	E2	E3	E4	S	G	A	A*	LG	1L	2L	3L	4L									
465J	A	C	1R	1T	1B	1H	2R	2T	●	2S	3R	3T	●	3S	4R	4T	●	4S	E1	E2	E3	E4	G	X	A	A*	LG	1L	2L	3L	4L									
465K	A	C	1R	1T	1B	1H	2R	2T	●	2H	3R	3T	●	3H	4R	4T	●	4H	E1	E2	E3	E4	CR	CT	A	A*	LG	1L	2L	3L	4L									
465K	E	G	1R	1T	1B	1H	2R	2T	●	2H	3R	3T	●	3H	4R	4T	●	4H	E1	E2	E3	E4	CR	CT	A	A*	LG	1L	2L	3L	4L									
465L	A	C	1R	1T	1B	1H	2R	2T	●	2H	3R	3T	●	3H	S	G	CR	CT	E1	E2	E3	E4	LG	1L	2L	3L	A	A*												
465L	E	G	1R	1T	1B	1H	2R	2T	●	2H	3R	3T	●	3H	S	G	CR	CT	E1	E2	E3	E4	LG	1L	2L	3L	A	A*												
465M	A	C	1R	1T	1B	1H	2R	2T	●	2H	3R	3T	●	3H	1S	G	2S	X	E1	E2	E3	E4	LG	1L	2L	3L	A	A*												
465M	E	G	1R	1T	1B	1H	2R	2T	●	2H	3R	3T	●	3H	1S	G	2S	X	E1	E2	E3	E4	LG	1L	2L	3L	A	A*												
465N	A	C	1R	1T	1B	1H	2R	2T	2B	2H	1S	G	2S	3S	LG	1L	2L	A◆	E1	E2	E3	E4	A	A*																
465N	E	G	1R	1T	1B	1H	2R	2T	2B	2H	1S	G	2S	3S	LG	1L	2L	A◆	E1	E2	E3	E4	A	A*																

* Transfer this conductor in place of Y-W vinyl-jacketed mounting-cord conductor in Tables E, H, or I.

◆ Spare conductor.

● Cord conductor cut off in set.

▲ Individually taped and stored in set.