

## KEY TELEPHONE SETS

### 565HDR

#### COMMON BATTERY — CONNECTIONS

##### 1.00 GENERAL

**1.01** The 6-button 565HDR telephone set is equivalent to the 565HBR telephone set but is equipped with a plug-ended mounting cord. Mounting cord is a D50C, 50-conductor, plug-ended cord using even count color code. It is provided in 5-foot 6-inch length.

**1.02** In addition to the service features of the 565HDR set, auxiliary services such as externally mounted buzzers, lamps, keys, etc, can be connected from the set by means of an auxiliary cord. The cords to be used are:

549B Key	D6AD Cord
549D Key	D10L Cord
1A1 Speakerphone	D10L Cord
3A Speakerphone	D10L Cord

These cords are provided in 5-foot 6-inch length and are available in standard colors. Other standard cords may be employed as needed for 15- and 21-type lamp indicators, external ringers, and external buzzers.

**1.03** The 565HDR set is equipped with five line keys (three of which are convertible to signal keys), a hold key, an exclusion switch, and connections for speakerphone use.

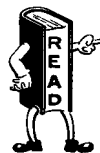
**1.04** This set has a single-gong H1A ringer and is arranged to mount a KS-8109 buzzer. The necessary hardware for mounting buzzer is provided as part of ringer. Buzzer shall be ordered separately when required.

**1.05** An auxiliary terminal strip composed of six double terminals is mounted in a vertical position at the left of the switch assembly and provides facilities for auxiliary cord connections.

**1.06** Lamp strip is designed to connect paired lamp and lamp ground leads. Facilities are provided for a lamp in the hold key position but the lamp is not part of the equipment.

**1.07** Conductors required for connecting to speakerphone control unit are available at both ends of the mounting cord. These leads may be extended to control unit at the plug end by using a 148A or 149A adapter or with the A25B connector cable. Where an additional mounting cord is not objectionable, leads may be extended from within telephone set to control unit by means of an auxiliary cord.

**1.08** Cord tip insulators on 148A adapter must be removed to terminate conductors.



*Do not pull insulators off with longnose pliers. Insulators must be cut off with electrician's scissors or diagonal pliers to prevent breaking conductors or stripping off cord tips.*

**1.09** This section is reissued to add 2.02 and Table A.

##### 2.00 CONNECTIONS

**2.01** The 565HDR set is furnished wired for 1A1 key systems. These sets have the red and black ringer leads wired respectively to terminals RR and RT. Telephone sets wired with the black and red ringer leads on the RR and RT terminals will have a plus (+) sign after the code number on base of set. Conversion tables used in conjunction with Fig. 1 and 2 are for various re-arrangements.

2.02 Exclusion and speakerphone leads of 565-HDR key telephone set must be disconnected and stored using KS-19147, List 1 cord insulators when two or more 565HDR sets are

connected in multiple through bridging adapters. This avoids interference with working circuits. See Table A.

**TABLE A**  
**PROCEDURE FOR DISCONNECTING LEADS IN**  
**565HDR KEY TELEPHONE SETS**

Lead Desig	Cord Color		Remove from	
	Exclusion	Speakerphone	Network	Terminal Strip
T1		V-G	RR	
P3		V-BR		ON-1
P4		BR-V		ON
LK		S-V		L1*
AG		V-S		N
R1		G-V		R
T	V-BL			ET
R	BL-V			ER
A or H	V-O			EH
B	O-V			EB

\* Terminal on network.

**TABLE B**  
**PICKUP SIGNAL KEY CONVERSION**  
(See Notes 5 and 6)

Key Tel Set	Convertible Key Options	Key Leads			
		BR	Y-BR	S-BR	BK-BR
565HDR	HPPPPP	M	M	M	X
	HPPPPS	M	M	M	SG
	HPPSSS	M	M	SG	X
	HPPSSS	X	M	SG	X
	HPPP*P*S*	X	M	5H	SG
	HPP*P*P*S*	X	X	5H	SG

\* See Note 7.

**TABLE C**  
**LINE EXCLUSION**

Exclusion	Key Tel Sys	Exclusion Key Leads			
		R-Y	G-Y	BR-R	BK-W
On Any Line	1A	R*	T*	1B†	H*
	1A1	R*	T*	EB	H*

\* Terminal of line involved.

† See Note 8.



**TABLE D**  
RINGER OR BUZZER CONNECTIONS  
(RR terminal on terminal strip)

Option	Leads					
	Ringer				Buzzer	
	R	BK	S	S-R	R	BK
Bridged Ringer on Any Line	R*	T*	K	A		
Common or Private Line Ringer or Buzzer (See Note 2)	With Capacitor	RR	RT	K	A	
	Without Capacitor	RR	RT	A	A	RR
Ringer Permanently Silenced	A	K	K	A		

\* Terminal of line involved.

**TABLE E**  
1A AND 1A1 CONVERSION  
(R terminal on terminal strip)

Station Busy Lamp Circuit	Key Tel Sys	Leads					M1W Cord	Diode KS-15724, L1
		Switch			Hold Key			
		S-W	S-G	S-Y	Y	Y-BK		
No	1A	1B	1B	N	R	M		
	1A1	1B	N	R	M	N		
Yes	1A	SG	L2	N	R	M		
	1A1	1B	L2	R	M	N	G to N	

**TABLE F**  
CUTOFF OF SET RINGER OR BUZZER BY EXCLUSION KEY  
(RR terminal on terminal strip)

Cutoff	Leads									
	Ringer				Buzzer		Exclusion Key			
	R	BK	S	S-R	R	BK	R-Y	G-Y	BR-R	BK-W
Bridged Ringer on Any Line	ER	ET	K	A			R*	T*	EB	EH
Common or Private Line Ringer or Buzzer (See Note 2)	With Capacitor	ER	ET	K	A		RR	RT	EB	EH
	Without Capacitor	ER	ET	A	A	ER	ET	RR	RT	EB

\* Terminal of line involved.

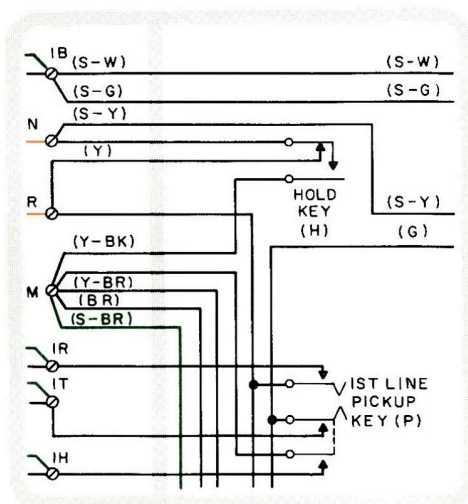


Fig. 1 - Wired for 1A Key System

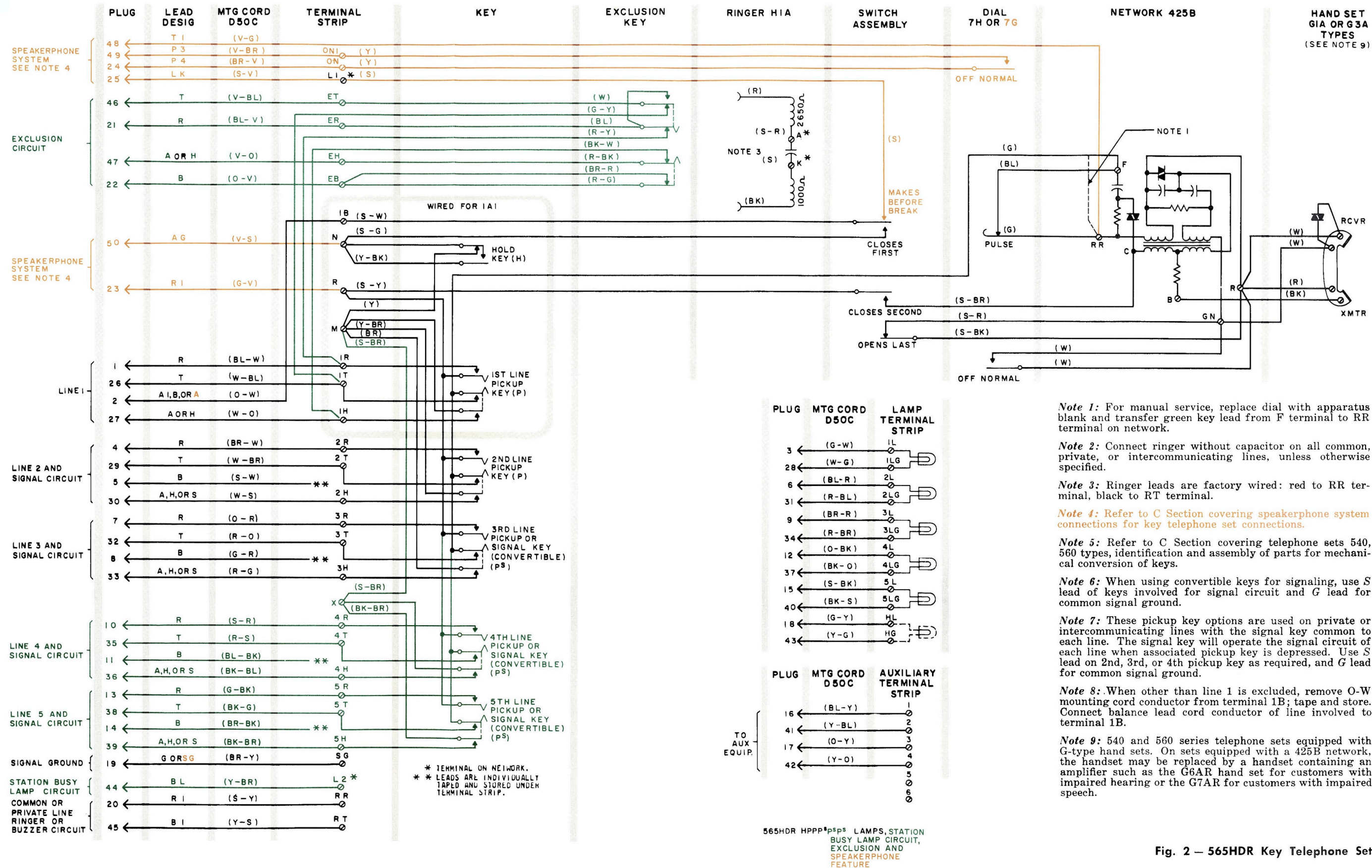


Fig. 2 - 565HDR Key Telephone Set