

KEY TELEPHONE SETS

565LDR

COMMON BATTERY — CONNECTIONS

1.00 GENERAL

1.01 The 6-button 565LDR telephone set is equivalent to the 565LBR telephone set but is equipped with a plug-ended mounting cord. Mounting cord is a D50D, 50-conductor, plug-ended cord using even count color code. It is provided in standard 5-foot 6-inch length.

1.02 In addition to the service features of the 565LDR set, auxiliary services such as externally mounted buzzers, lamps, keys, etc, can be connected from the set by means of an auxiliary cord. The cords to be used are:

| | |
|------------------|-----------|
| 549B Key | D6AD Cord |
| 549D Key | D10L Cord |
| 1A1 Speakerphone | D10L Cord |
| 3A Speakerphone | D10L Cord |

These cords are provided in 5-foot 6-inch length and are available in standard colors. Other standard cords may be employed as needed for 15- and 21-type lamp indicators, external ringers, and external buzzers.

1.03 The 565LDR is equipped with four line keys (one of which is convertible to a signal key), a hold key, a cutoff key, an exclusion switch, and connections for speakerphone use.

1.04 This set has a single-gong H1A ringer and is arranged to mount a KS-8109 buzzer. The necessary hardware for mounting buzzer is provided as part of the ringer. Buzzer must be ordered separately when required.

1.05 An auxiliary terminal strip composed of six double terminals is mounted in a vertical position at the left of the switch assembly and provides facilities for auxiliary cord connections.

1.06 Lamp strip is designed to connect paired lamp and lamp ground leads. Facilities are provided for a lamp in the hold key position but the lamp is not part of the equipment.

1.07 Conductors required for connecting to speakerphone control unit are available at both ends of mounting cord. These leads may be extended to control unit at the plug end by using a 148A or 149A adapter or with the A25B connector cable. Where an additional mounting cord is not objectionable, leads may be extended from within telephone set to control unit by means of an auxiliary cord.

1.08 Cord tip insulators on 148A adapter must be removed to terminate conductors.



Do not pull insulators off with longnose pliers. Insulators must be cut off with electrician's scissors or diagonal pliers to prevent breaking conductors or stripping off cord tips.

1.09 This section is reissued to add 2.02 and Table A.

2.00 CONNECTIONS

2.01 The 565LDR set is furnished wired for 1A1 key systems. These sets have the red and black ringer leads wired to terminals RR and RT, respectively. Telephone sets wired with the black and red ringer leads on the RR and RT terminals will have a plus (+) sign after the code number on base of set. Conversion tables used in conjunction with Fig. 1 and 2 are for various rearrangements.

2.02 Exclusion and speakerphone leads of 565-LDR key telephone set must be disconnected and stored using KS-19147, List 1 cord insulators when two or more 565LDR sets are

connected in multiple through bridging adapters. This avoids interference with working circuits. See Table A.

TABLE A
PROCEDURE FOR DISCONNECTING LEADS IN
565LDR KEY TELEPHONE SETS

| Lead Desig | Cord Color | | Remove from | |
|------------|------------|--------------|-------------|----------------|
| | Exclusion | Speakerphone | Network | Terminal Strip |
| T1 | | V-G | RR | |
| P3 | | V-BR | | ON-1 |
| P4 | | BR-V | | ON |
| LK | | S-V | | L1* |
| AG | | V-S | | N |
| R1 | | G-V | | R |
| T | V-BL | | | ET |
| R | BL-V | | | ER |
| A or H | V-O | | | EH |
| B | O-V | | | EB |

* Terminal on network.

TABLE B
CUTOFF OF RINGER OR BUZZER IN SET
(R and RR terminals on terminal strip)

| Cutoff | | Leads | | | | | | | |
|--|-------------------|--------|----|---|-----|--------|----|------------|-----|
| | | Ringer | | | | Buzzer | | Cutoff Key | |
| | | R | BK | S | S-R | R | BK | R-W | G-W |
| Of Bridged Ringer on Any Line | | CR | CT | K | A | | | R* | T* |
| Of Common or Private Line Ringer or Buzzer (See Note 2) | With Capacitor | CR | CT | K | A | | | RR | RT |
| | Without Capacitor | CR | CT | A | A | CR | CT | RR | RT |
| Of Bridged Line Ringer When Used with First Feature in Table C | | XR | XT | K | A | | | R* | T* |

* Terminal of line involved.

TABLE C
RINGER OR BUZZER CONNECTIONS
(RR terminal on terminal strip)

| Option | Leads | | | | | |
|--|-------------------|----|----|-----|--------|-------|
| | Ringer | | | | Buzzer | |
| | R | BK | S | S-R | R | BK |
| Bridged Ringer on Any Line | R* | T* | K | A | | |
| Common or Private Line Ringer or Buzzer (See Note 2) | With Capacitor | RR | RT | K | A | |
| | Without Capacitor | RR | RT | A | A | RR RT |
| Ringer Permanently Silenced | A | K | K | A | | |

* Terminal of line involved.

TABLE D
1A AND 1A1 CONVERSION
(R terminal on terminal strip)

| Station Busy Lamp Circuit | Key Tel Sys | Leads | | | | | M1W Cord | Diode KS-15724, L1 |
|---------------------------|-------------|-------|-----|-----|---|------|----------|--------------------|
| | | S-W | S-G | S-Y | Y | Y-BK | | |
| No | 1A | 1B | 1B | N | R | M | | |
| | 1A1 | 1B | N | R | M | N | | |
| Yes | 1A | SG | L2 | N | R | M | | |
| | 1A1 | 1B | L2 | R | M | N | G to N | G to L2 |

TABLE E
CUTOFF OF SET RINGER OR BUZZER BY EXCLUSION KEY
(RR terminal on terminal strip)

| Cutoff | Leads | | | | | | | | | |
|--|-------------------|----|----|-----|--------|----|-----|---------------|------|------|
| | Ringer | | | | Buzzer | | | Exclusion Key | | |
| | R | BK | S | S-R | R | BK | R-Y | G-Y | BR-R | BK-W |
| Bridged Ringer on Any Line | ER | ET | K | A | | | R* | T* | EB | EH |
| Common or Private Line Ringer or Buzzer (See Note 2) | With Capacitor | ER | ET | K | A | | RR | RT | EB | EH |
| | Without Capacitor | ER | ET | A | A | ER | ET | RR | RT | EB |

* Terminal of line involved.

TABLE F
LINE EXCLUSION

| Exclusion | Key Tel Sys | Exclusion Key Leads | | | |
|-------------|-------------|---------------------|-----|------|------|
| | | R-Y | G-Y | BR-R | BK-W |
| On Any Line | 1A | R* | T* | 1B† | H* |
| | 1A1 | R* | T* | EB | H* |

* Terminal of line involved.
† See Note 8.

TABLE G
CUTOFF OF EXTERNAL CIRCUITS

| Cutoff | Cutoff Key Leads | |
|---|------------------|-----|
| | R-W | G-W |
| Of Ring and Tip of Any Line | R* | T* |
| Of Head Receiver Used as Listening-In Set | R† | GN† |
| Of Controlled 1A1 Key Tel Sys Sta | CT | XT |

* Terminal of line involved.
† Terminal on network.

TABLE H
PICKUP SIGNAL KEY CONVERSION
(See Notes 5 and 6)

| Convertible Key Options | Key Lead S-BR |
|-------------------------|---------------|
| HPPPPC | M |
| HPPPSC | SG |

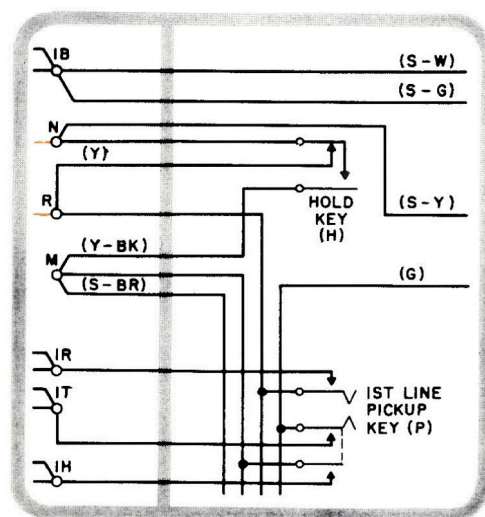
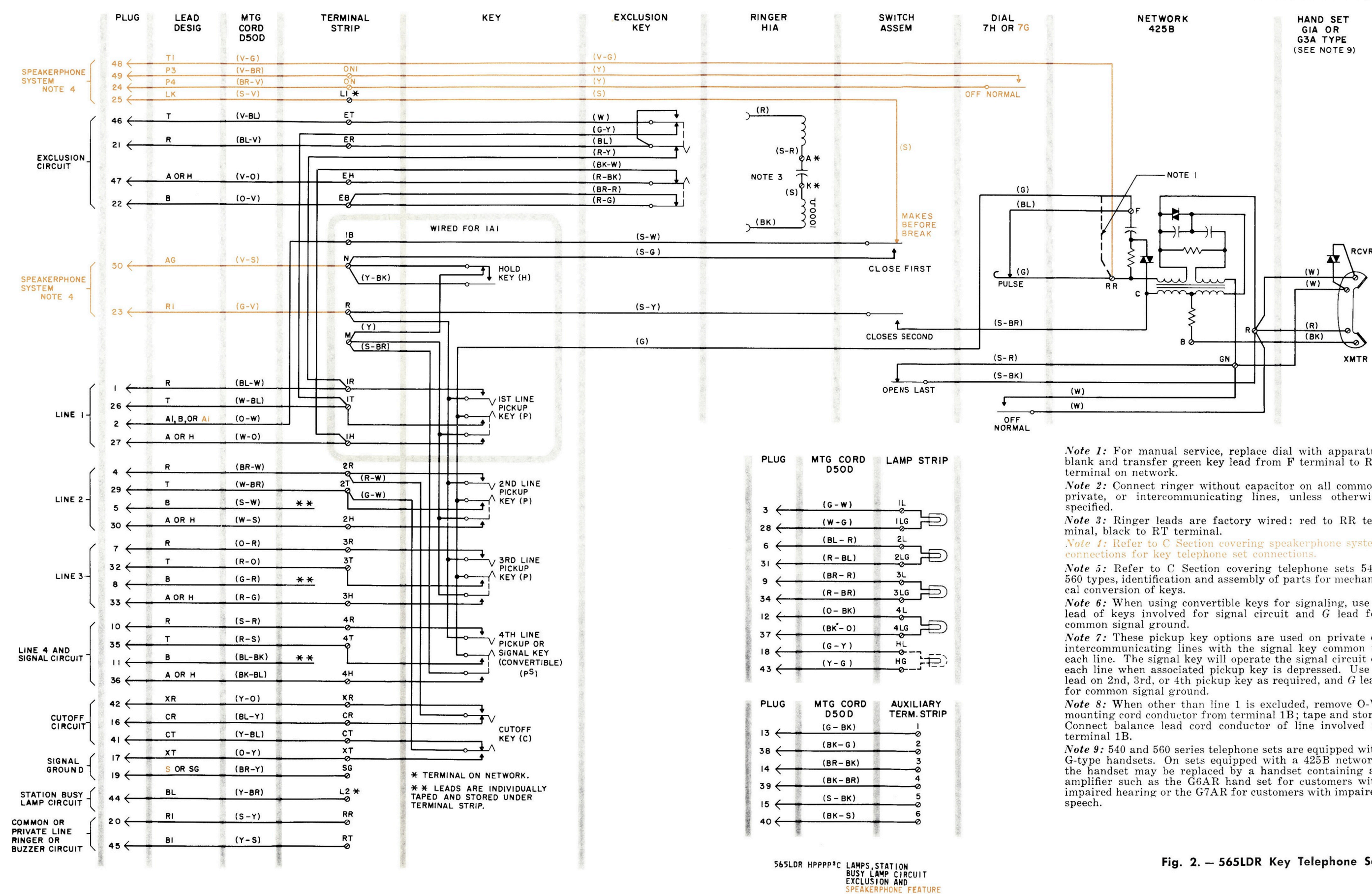


Fig. 1 - Wired for 1A Key System



Note 1: For manual service, replace dial with apparatus blank and transfer green key lead from F terminal to RR terminal on network.

Note 2: Connect ringer without capacitor on all common, private, or intercommunicating lines, unless otherwise specified.

Note 3: Ringer leads are factory wired: red to RR terminal, black to RT terminal.

Note 4: Refer to C Section covering speakerphone system connections for key telephone set connections.

Note 5: Refer to C Section covering telephone sets 540, 560 types, identification and assembly of parts for mechanical conversion of keys.

Note 6: When using convertible keys for signaling, use S lead of keys involved for signal circuit and G lead for common signal ground.

Note 7: These pickup key options are used on private or intercommunicating lines with the signal key common to each line. The signal key will operate the signal circuit of each line when associated pickup key is depressed. Use S lead on 2nd, 3rd, or 4th pickup key as required, and G lead for common signal ground.

Note 8: When other than line 1 is excluded, remove O-W mounting cord conductor from terminal 1B; tape and store. Connect balance lead cord conductor of line involved to terminal 1B.

Note 9: 540 and 560 series telephone sets are equipped with G-type handsets. On sets equipped with a 425B network, the handset may be replaced by a handset containing an amplifier such as the G6AR handset for customers with impaired hearing or the G7AR for customers with impaired speech.

Fig. 2 - 565LDR Key Telephone Set