

SEPARATELY MOUNTED KEYS

6050 AND 6051 TYPES

CONNECTIONS

1.00 INTRODUCTION

1.01 This section is reissued to:

- Change Table E.

2.00 GENERAL

2.01 Separately mounted keys may be used on both 1A1 and 1A key telephone systems. Keys are shipped for use with 1A1 key telephone system.

2.02 When a 6051A or 6051C key is used for pickup and hold on both 1A1 and 1A lines, the 1A1 lines shall be restricted to the 599A or 599B key and the 1A lines shall be restricted to the 598A key.

2.03 When no hold is required, 1A1 and 1A lines may be intermixed. On lines used for 1A, disconnect H leads from terminal 18 of terminal board. Tape and store disconnected leads.

2.04 Three spade-tipped leads in both the A25A and A50A connector cables are available for use with 1A hold circuits. These are leads H1, RS, and RH.



Some conductors of A25A and A50A connector cables are dead-dressed with insulators (tubing). Do not use long-nose pliers to pull off the insulators. This may break the conductor or pull off the spade tip. The insulation should be cut off with electrician's scissors or diagonal pliers.

3.00 INDEX FOR CONNECTION FIGURES

Fig. 1 - Typical Arrangement of 6050- and 6051-Type Keys

Fig. 2 - Key Unit of 6050A Key or Second Key Unit of 6051A Key

Fig. 2A - Key Unit of 6050B Key or Second Key Unit of 6051B Key

Fig. 2B - Key Unit of 6050C Key or Second Key Unit of 6051C Key

Fig. 3 - First Key Unit of 6051-Type Key

Fig. 4 - Wiring Between Connector Cable Units When 6051A or 6051C Key Is Used for Holding on Both 1A1 and 1A Lines

4.00 INDEX FOR CONNECTION TABLES

Table A - Key Features

Table B - Conversion of 599A Key for Use with 1A Key Telephone System

Table C - Conversion of 598A Key for Use with 1A Key Telephone System

Table D - Conversion of 599B Key for Use with 1A Key Telephone System

Table E - Telephone Set Connections 1A1 Key Telephone System

Table F - Conversion from Pickup to Signaling

Table G - Connections for 6050-Type Key

Table H - Connections for 6051-Type Key, Blue-Served Unit of Connector Cable

Table J - Connections for 6051-Type Key, Orange-Served Unit of Connector Cable

SECTION C71.348.01

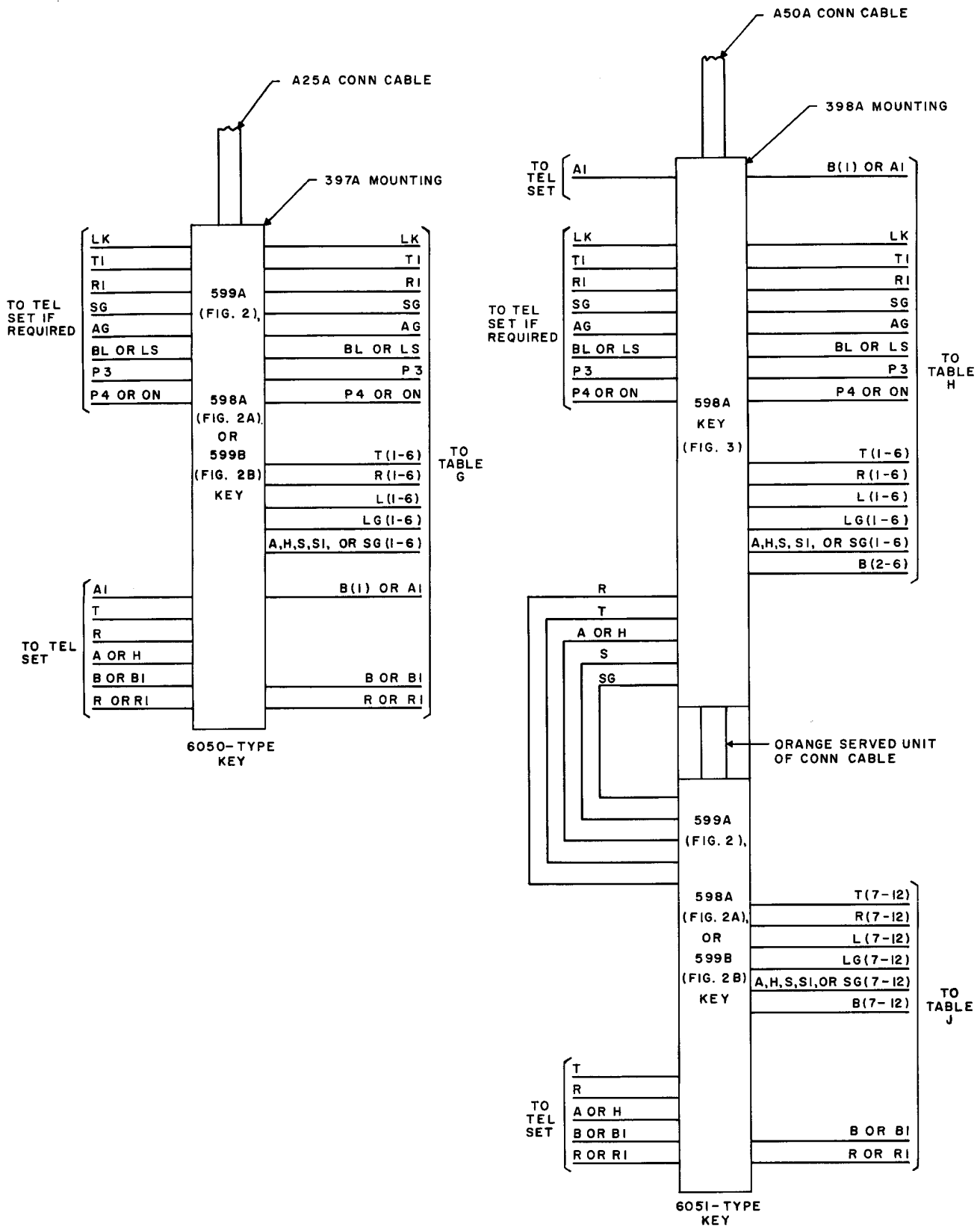


Fig. 1—Typical Arrangement of 6050- and 6051-Type Keys

TABLE A
KEY FEATURES

6050-Type Keys									
6050A			6050B			6050C			Connection Table
Key	Features	Fig.	Key	Features	Fig.	Key	Features	Fig.	
599A	P _s P _s P _s P _s P _s P _s H	2	598A	P _s P _s P _s P _s P _s P _s P _s P _s	2A	599B	C P _s P _s P _s P _s P _s H	2B	G <u>A25A Conn Cable</u>
6051-Type Keys									
6051A			6051B			6051C			Connection Table
Key	Features	Fig.	Key	Features	Fig.	Key	Features	Fig.	
598A	P _s P _s P _s P _s P _s P _s P _s	3	598A	P _s P _s P _s P _s P _s P _s P _s	3	598A	P _s P _s P _s P _s P _s P _s P _s	3	H For Connections for First Key. Blue-Served Unit of <u>A50A</u> Conn Cable
599A	P _s P _s P _s P _s P _s P _s H	2	598A	P _s P _s P _s P _s P _s P _s P _s	2A	599B	C P _s P _s P _s P _s P _s H	2B	J For Connections for Second Key. Orange-Served Unit of <u>A50A</u> Conn Cable

Features:
P — Pickup or Signaling Key
P_s
C—Cutoff (Turn) Key
H—Hold Key

TABLE E
TELEPHONE SET CONNECTIONS, 1A1 KEY TELEPHONE SYSTEM

Connect Leads from Tel Set to Terminal of Conn Cable Term. Board as Indicated	Lead Designations													
	Line		Control Leads		Ringer or Buzzer		Bsy Lp Sig	Speakerphone						Com Grd
	R	T	A1	A	R or R1	B or B1	BL or LS	LK	T1	R1	AG	P3	P4 or On	Sg
6050-Type Key														
6050A Key	2	1	17	3	10	11	8	9	4	5	7	13	12	19
6050B Key	2	1	17	18	10	11	8	9	4	5	7	13	12	19
6050C Key	2	1	17	3	10	11	8	9	4	5	7	13	12	19
6051-Type Key														
1st Unit, All 6051 Type			17				8	9	4	5	7	13	12	19
2nd Unit, 6051A Key	2	1		3	10	11								
2nd Unit, 6051B Key	2	1		18	10	11								
2nd Unit, 6051C Key	2	1		3	10	11								

TABLE F

CONVERSION FROM PICKUP TO SIGNALING

A pickup (locking) key position may be converted to signaling (nonlocking). Remove screw detail P-10E837 from plunger at key position to be converted. Disconnect connector cable strap associated with key position to be converted from terminal 18 of terminal board. Reconnect strap to terminal number shown below.

Key	Type of Signaling	Key position and color of connector cable strap conductor					
		Pos 1 Bk	Pos 2 BR-G	Pos 3 BR-W	Pos 4 R-BL	Pos 5 G-BL	Pos 6 S-BK
599A	Common	6	6	6	6	6	*
	Individual	19	19	19	19	19	*
598A	Common	6	6	6	6	6	6
	Individual	19	19	19	19	19	19
599B Note	Common	6	6	6	6	*	*
	Individual	19	19	19	19	*	*

Note: Turn key may be converted for use as a depressible (mechanical) release key. Remove blocking spacer furnished in the button assembly. Turn key may be depressed in either its operated (turned) or unoperated (normal) position. This releases any locked-down key but does not deflect the associated spring pileup.

* Not a pickup key. Not to be converted.

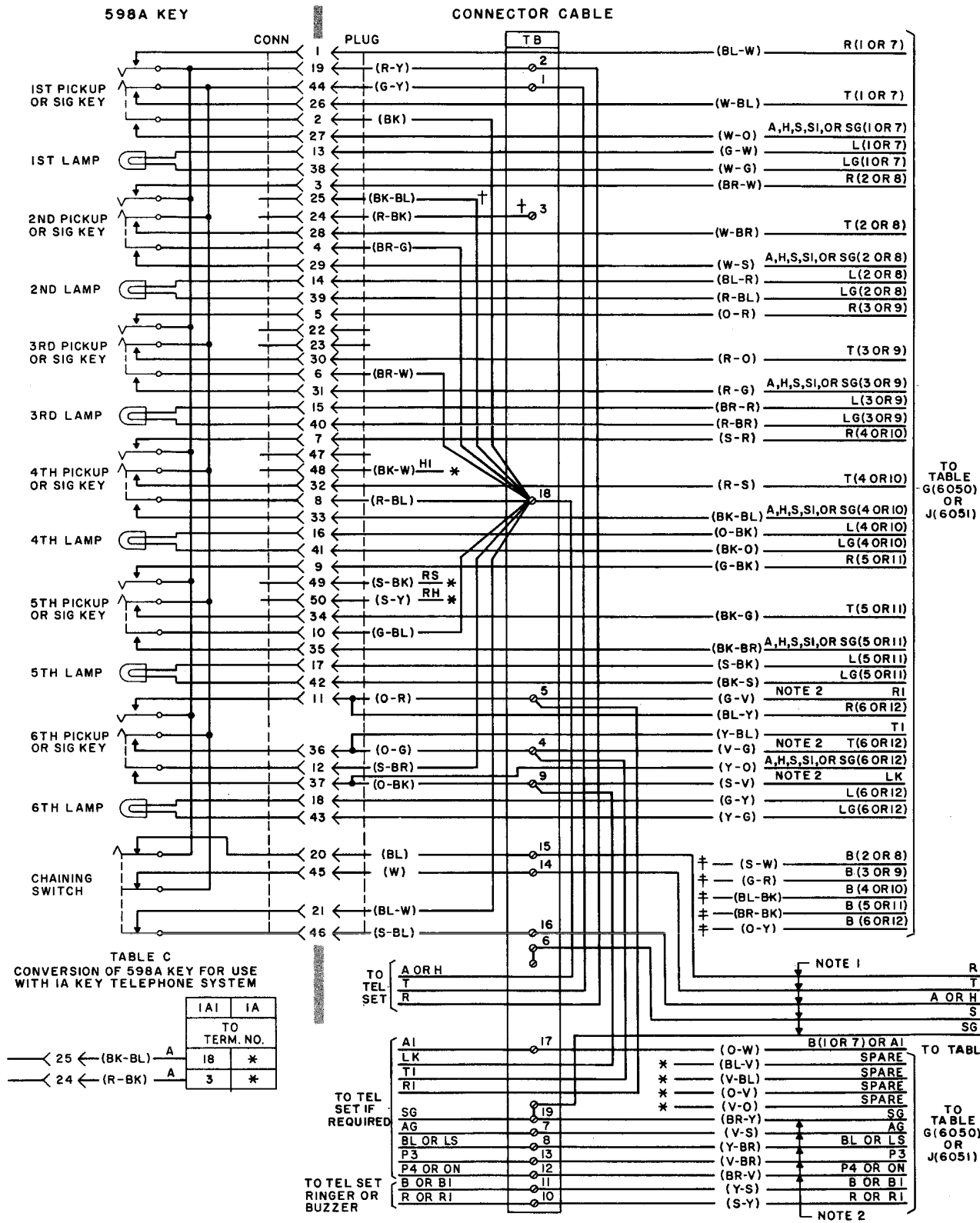


TABLE C
CONVERSION OF 598A KEY FOR USE WITH IA KEY TELEPHONE SYSTEM

IA	IA
25 ← (BK-BL) A	18 *
24 ← (R-BK) A	3 *

* INSULATED AND STORED.
 † KEY SHOWN WIRED FOR 1A1. FOR CONVERSION TO 1A, SEE TABLE C.
 ‡ LEADS ARE CUT DEAD AND INSULATED AT THE BUTT.

NOTE 1: STRAPS BETWEEN UNITS OF 6051B KEY.
 NOTE 2: LEADS ARE DEAD-DRESSED WITH TUBING ON 6051B KEY.

Fig. 2A—Key Unit of 6050B Key or Second Key Unit of 6051B Key

TABLE G
CONNECTIONS FOR 6050-TYPE KEY

FIG. NO.	TERMINATION AT KEY			LEAD DESIGNATION			CONNECTOR CABLE A25A			CONNECT TO
	PLUG TERM. NO.	STRAP COLOR	TERM. BOARD TERM. NO.	599A KEY	599B KEY	598A KEY	SOLID COLOR	BAND COLOR	CABLE PAIR	
2 (599A KEY) 2A (598A KEY) OR 2B (599B KEY)	1			R(1)	R(1)	R(1)	BL	W	1	LINE AND SIGNALING CIRCUITS, OR EXCLUSION KEYS OR CUTOFF KEYS AT OTHER STATIONS
	26			T(1)	T(1)	T(1)	W	BL		
			17	B(1) OR A1	B(1) OR A1	B(1) OR A1	O	W	2	
	27			A, H, S, S1, OR SG(1)	A, H, S, S1, OR SG(1)	A, H, S, S1, OR SG(1)	W	O		
	13			L(1)	L(1)	L(1)	G	W	3	
	38			LG(1)	LG(1)	LG(1)	W	G		
	3			R(2)	R(2)	R(2)	BR	W	4	
	28			T(2)	T(2)	T(2)	W	BR		
			NOTE 2	B(2)	B(2)	B(2)	S	W		
	29			A, H, S, S1, OR SG(2)	A, H, S, S1, OR SG(2)	A, H, S, S1, OR SG(2)	W	S	5	
	14			L(2)	L(2)	L(2)	BL	R	6	
	39			LG(2)	LG(2)	LG(2)	R	BL		
	5			R(3)	R(3)	R(3)	O	R	7	
	30			T(3)	T(3)	T(3)	R	O		
			NOTE 2	B(3)	B(3)	B(3)	G	R	8	
	31			A, H, S, S1, OR SG(3)	A, H, S, S1, OR SG(3)	A, H, S, S1, OR SG(3)	R	G		
	15			L(3)	L(3)	L(3)	BR	R	9	
	40			LG(3)	LG(3)	LG(3)	R	BR		
	7			R(4)	R(4)	R(4)	S	R	10	
	32			T(4)	T(4)	T(4)	R	S		
			NOTE 2	B(4)	B(4)	B(4)	BL	BK	11	
	33			A, H, S, S1, OR SG(4)	A, H, S, S1, OR SG(4)	A, H, S, S1, OR SG(4)	BK	BL		
	16			L(4)	L(4)	L(4)	O	BK	12	
	41			LG(4)	LG(4)	LG(4)	BK	O		
	9			R(5)	XR	R(5)	G	BK	13	
	34			T(5)	XT	T(5)	BK	G		
			NOTE 2	B(5)	SPARE	B(5)	BR	BK	14	
	35			A, H, S, S1, OR SG(5)	A	A, H, S, S1, OR SG(5)	BK	BR		
	17			L(5)	L(5)	L(5)	S	BK	15	
	42			LG(5)	LG(5)	LG(5)	BK	S		
	11			R(6)	R OR R1	R(6)	BL	Y	16	
	36			SPARE	T, B, OR B1	T(6)	Y	BL		
			NOTE 2	SPARE	SPARE	B(6)	O	Y	17	
	37			SPARE	XA	A, H, S, S1, OR SG(6)	Y	O		
	18			L(6)	L(6)	L(6)	G	Y	18	
	43			LG(6)	LG(6)	LG(6)	Y	G		
			19	SG	SG	SG	BR	Y	19	
			8	BL OR LS	BL OR LS	BL OR LS	Y	BR		
			10	R OR R1	R OR R1	R OR R1	S	Y	20	
			11	B OR B1	B OR B1	B OR B1	Y	S		
				SPARE	R	SPARE	BL	V	21	
				SPARE	T	SPARE	V	BL		
				SPARE	SPARE	SPARE	O	V	22	
				SPARE	SPARE	SPARE	V	O		
			5	R1*	R1*	R1*	G	V	23	
			4	T1*	T1*	T1*	V	G		
			12	P4 OR ON *	(P4 OR ON)*	(P4 OR ON)*	BR	V	24	
			13	P3*	P3*	P3*	V	BR		
			9	LK*	LK*	LK*	S	V	25	
			7	AG*	AG*	AG*	V	S		
11	O-R	5	R1	R1	R1			TEL SET WHEN REQUIRED		
36	O-G	4	T1	T1	T1					
37	O-BK	9	LK	LK	LK					
2	BK	18						TEL SET ON 6050B KEY ONLY		
4	BR-G	18								
6	BR-W	18								
8	R-BL	18			A OR H.					
10	G-BL	NOTE 1								
12	S-BR	NOTE 1								
19	R-Y	2	A	A	SPARE			TEL SET		
44	G-Y	1								
20	BL	15	SPARE	SPARE	SPARE					
45	W	14								
21	BL-W	18								
46	S-BL	16	SPARE	SPARE	SPARE					
48	BK-W	NOTE 3								
24	R-BK	3	A	A	SPARE			TEL SET		
49	S-BK	NOTE 3								
25	BK-BL	18								
50	S-Y	NOTE 3								

Note 1: Treatment of this lead varies with different type keys. Check appropriate figure for particular key used.

Note 2: Lead is cut dead and insulated at the butt.

Note 3: Three spade-tipped leads in the hold circuit are available for use with the hold circuits of 1A. See Fig. 4.

* Speakerphone leads.

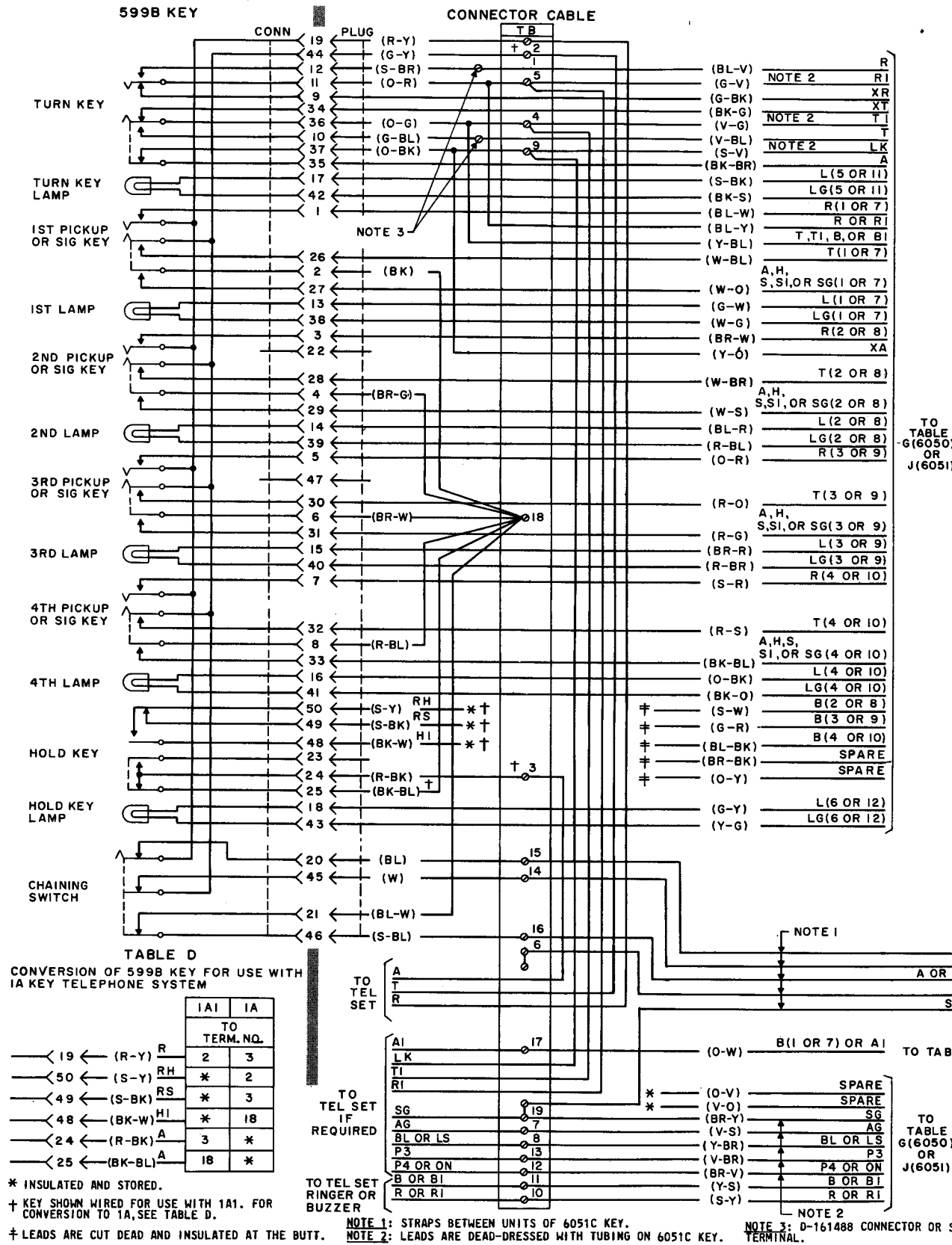


Fig. 2B—Key Unit of 6050C Key or Second Key Unit of 6051C Key

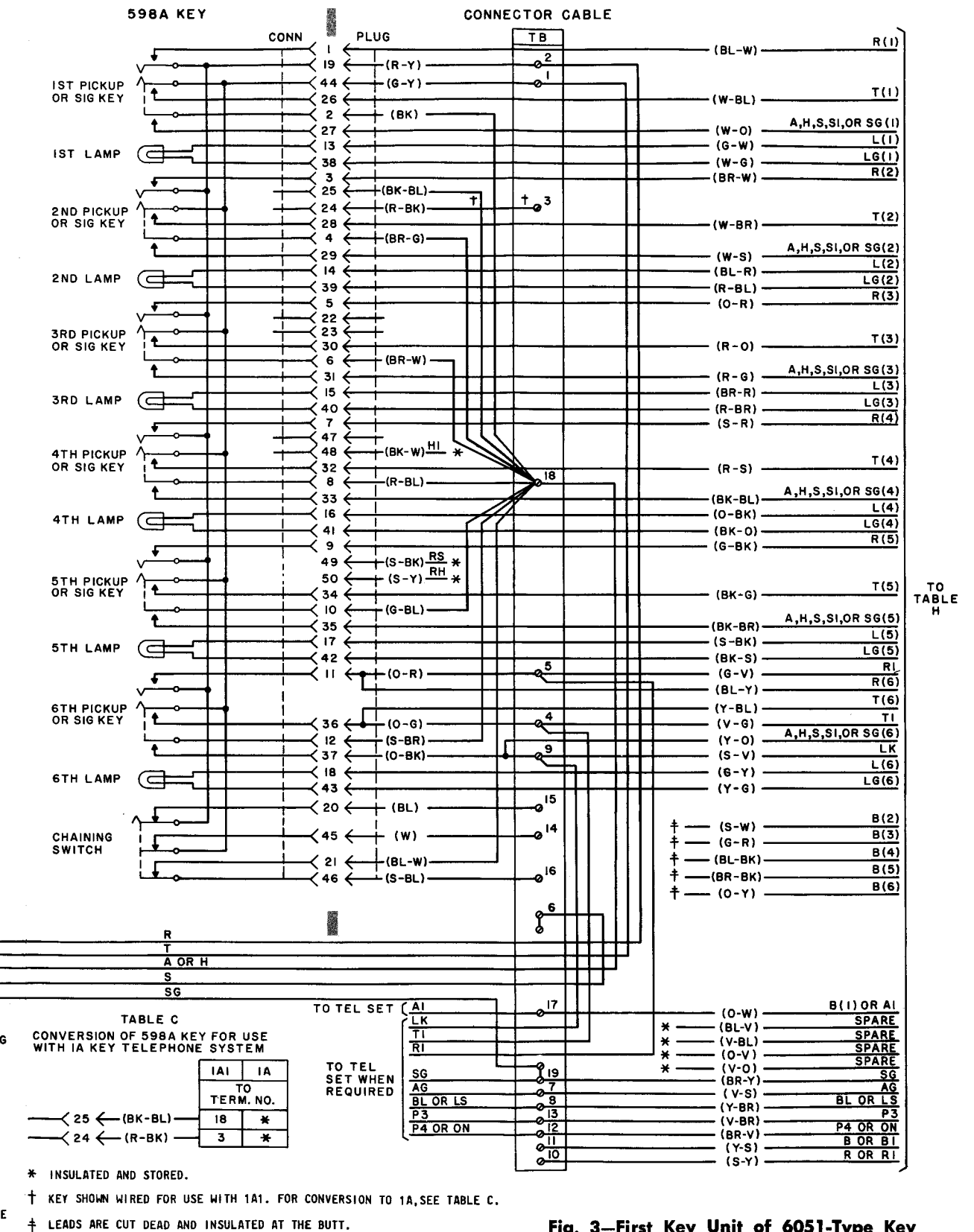


Fig. 3—First Key Unit of 6051-Type Key

Fig. 2B, 3

TABLE H
CONNECTIONS FOR 6051-TYPE KEY
BLUE-SERVED UNIT OF CONNECTOR CABLE

FIG. NO.	TERMINATION AT KEY			LEAD DESIGNATION	CONNECTOR CABLE A50A, BLUE-SERVED UNIT			CONNECT TO
	PLUG TERM. NO.	STRAP COLOR	TERM. BOARD TERM. NO.		SOLID COLOR	BAND COLOR	CABLE PAIR	
3 (598A KEY)	1			R(1)	BL	W	1	LINE AND SIGNALING CIRCUITS, OR EXCLUSION KEYS OR CUTOFF KEYS AT OTHER STATIONS
	26			T(1)	W	BL		
			17	B(1) OR A1	O	W	2	
	27			A, H, S, S1, OR SG(1)	W	O		
	13			L(1)	G	W	3	
	38			LG(1)	W	G		
	3			R(2)	BR	W	4	
	28			T(2)	W	BR		
			NOTE 2	B(2)	S	W	5	
	29			A, H, S, S1, OR SG(2)	W	S		
	14			L(2)	BL	R	6	
	39			LG(2)	R	BL		
	5			R(3)	O	R	7	
	30			T(3)	R	O		
			NOTE 2	B(3)	G	R	8	
	31			A, H, S, S1, OR SG(3)	R	G		
	15			L(3)	BR	R	9	
	40			LG(3)	R	BR		
	7			R(4)	S	R	10	
	32			T(4)	R	S		
			NOTE 2	B(4)	BL	BK	11	
	33			A, H, S, S1, OR SG(4)	BK	BL		
	16			L(4)	O	BK	12	
	41			LG(4)	BK	O		
	9			R(5)	G	BK	13	
	34			T(5)	BK	G		
			NOTE 2	B(5)	BR	BK	14	
	35			A, H, S, S1, OR SG(5)	BK	BR		
	17			L(5)	S	BK	15	
	42			LG(5)	BK	S		
	11			R(6)	BL	Y	16	
				T(6)	Y	BL		
			NOTE 2	B(6)	O	Y	17	
				A, H, S, S1, OR SG(6)	Y	O		
				L(6)	G	Y	18	
				LG(6)	Y	G		
			19	SG	BR	Y	19	
			8	BL OR LS	Y	BR		
			10	R OR R1	S	Y	20	
			11	B OR B1	Y	S		
				SPARE	BL	V	21	
				SPARE	V	BL		
				SPARE	O	V	22	
				SPARE	V	O		
			5	R1*	G	V	23	
			4	T1*	V	G		
			12	P4 OR ON*	BR	V	24	
			13	P3*	V	BR		
			9	LK*	S	V	25	
			7	AG*	V	S		
11	O-R	5	R1				TEL SET WHEN REQUIRED	
36	O-G	4	T1					
37	O-BK	9	LK					
2	BK	18					SECOND KEY UNIT	
4	BR-G	18						
6	BR-W	18						
8	R-BL	18	A OR H		LOCAL STRAPS			
10	G-BL	18						
12	S-BR	18						
19	R-Y	2	R					
44	G-Y	1	T					
20	BL	15						
45	W	14						
21	BL-W	18	A OR H					
46	S-BL	16						
48	BK-W	NOTE 1	H1					
24	R-BK	3						
49	S-BK	NOTE 1	RS					
25	BK-BL	18	A OR H					
50	S-Y	NOTE 1	RH					
		6	S		LOCAL STRAPS	SECOND KEY UNIT		
		19	SG					

Note 1: Three spade-tipped leads in connector cable are available for use with the hold circuits of 1A.

Note 2: Lead is cut dead and insulated at the butt.

* Speakerphone leads.

TABLE J
CONNECTIONS FOR 6051-TYPE KEY
ORANGE-SERVED UNIT OF CONNECTOR CABLE

FIG. NO.	TERMINATION AT KEY			LEAD DESIGNATION			CONNECTOR CABLE A50A, ORANGE-SERVED UNIT			CONNECT TO
	PLUG TERM. NO.	STRAP COLOR	TERM. BOARD TERM. NO.	599A KEY	599B KEY	598A KEY	SOLID COLOR	BAND COLOR	CABLE PAIR	
2 (599A KEY) 2A (598A KEY) OR 2B (599B KEY)	1			R(7)	R(7)	R(7)	BL	W	26	LINE AND SIGNALING CIRCUITS, OR EXCLUSION KEYS OR CUTOFF KEYS AT OTHER STATIONS
	26			T(7)	T(7)	T(7)	W	BL		
			17				O	W		
	27			A, H, S, S1, OR SG(7)	A, H, S, S1, OR SG(7)	A, H, S, S1, OR SG(7)	W	O	27	
	13			L(7)	L(7)	L(7)	G	W	28	
	38			LG(7)	LG(7)	LG(7)	W	G		
	3			R(8)	R(8)	R(8)	BR	W	29	
	28			T(8)	T(8)	T(8)	W	BR		
			NOTE 2				S	W	30	
	29			A, H, S, S1, OR SG(8)	A, H, S, S1, OR SG(8)	A, H, S, S1, OR SG(8)	W	S		
	14			L(8)	L(8)	L(8)	BL	R	31	
	39			LG(8)	LG(8)	LG(8)	R	BL		
	5			R(9)	R(9)	R(9)	O	R	32	
	30			T(9)	T(9)	T(9)	R	O		
			NOTE 2				G	R	33	
	31			A, H, S, S1, OR SG(9)	A, H, S, S1, OR SG(9)	A, H, S, S1, OR SG(9)	R	G		
	15			L(9)	L(9)	L(9)	BR	R	34	
	40			LG(9)	LG(9)	LG(9)	R	BR		
	7			R(10)	R(10)	R(10)	S	R	35	
	32			T(10)	T(10)	T(10)	R	S		
			NOTE 2				BL	BK	36	
	33			A, H, S, S1, OR SG(10)	A, H, S, S1, OR SG(10)	A, H, S, S1, OR SG(10)	BK	BL		
	16			L(10)	L(10)	L(10)	O	BK	37	
	41			LG(10)	LG(10)	LG(10)	BK	O		
	9			R(11)	XR	R(11)	G	BK	38	
	34			T(11)	XT	T(11)	BK	G		
			NOTE 2				BR	BK	39	
	35			A, H, S, S1, OR SG(11)	A	A, H, S, S1, OR SG(11)	BK	BR		
	17			L(11)	L(11)	L(11)	S	BK	40	
	42			LG(11)	LG(11)	LG(11)	BK	S		
	11			SPARE	R OR R1	R(12)	BL	Y	41	
	36			SPARE	T, T1, B, OR B1	T(12)	Y	BL		
			NOTE 2				O	Y	42	
	37			SPARE	SPARE	B(12)	Y	O		
	18			L(12)	L(12)	L(12)	G	Y	43	
	43			LG(12)	LG(12)	LG(12)	Y	G		
			19	SPARE	SPARE	SPARE	BR	Y	44	
			8	SPARE	SPARE	SPARE	Y	BR		
			10	SPARE	SPARE	SPARE	S	Y	45	
			11	SPARE	SPARE	SPARE	Y	S		
				SPARE	R	SPARE	BL	V	46	
				SPARE	T	SPARE	V	BL		
				SPARE	SPARE	SPARE	O	V	47	
				SPARE	SPARE	SPARE	V	O		
			5	SPARE	SPARE	SPARE	G	V	48	
			4	SPARE	SPARE	SPARE	V	G		
			12	SPARE	SPARE	SPARE	BR	V	49	
			13	SPARE	SPARE	SPARE	V	BR		
			9	SPARE	SPARE	SPARE	S	V	50	
			7	SPARE	SPARE	SPARE	V	S		
11	O-R	5								
36	O-G	4								
37	O-BK	9								
2	BK	18								
4	BR-G	18		A OR H	A OR H	A OR H			TEL SET ON 6051B KEY ONLY	
6	BR-W	18								
8	R-BL	18								
10	G-BL	NOTE 1								
12	S-BR	NOTE 1								
19	R-Y	2		R	R	R				
44	G-Y	1		T	T	T			TEL SET	
20	BL	15		R	R	R			FIRST KEY UNIT	
45	W	14		T	T	T	LOCAL STRAPS			
21	BL-W	18		A OR H	A OR H	A OR H				
46	S-BL	16		A OR H	A OR H	A OR H	LOCAL STRAPS		FIRST KEY UNIT	
48	BK-W	NOTE 3		HI	HI	HI				
24	R-BK	3								
49	S-BK	NOTE 3		RS	RS	RS				
25	BK-BL	18		A OR H	A OR H	A OR H				
50	S-Y	NOTE 3		RH	RH	RH				
		6		S	S	S				
		19		SG	SG	SG	LOCAL STRAPS		FIRST KEY UNIT	

Note 1: Treatment of this lead varies with different type keys. Check appropriate figure for particular key used.

Note 2: Lead is cut dead and insulated at the butt.

Note 3: Three spade-tipped leads in the hold circuit are available for use with the hold circuits of 1A. See Fig. 4.

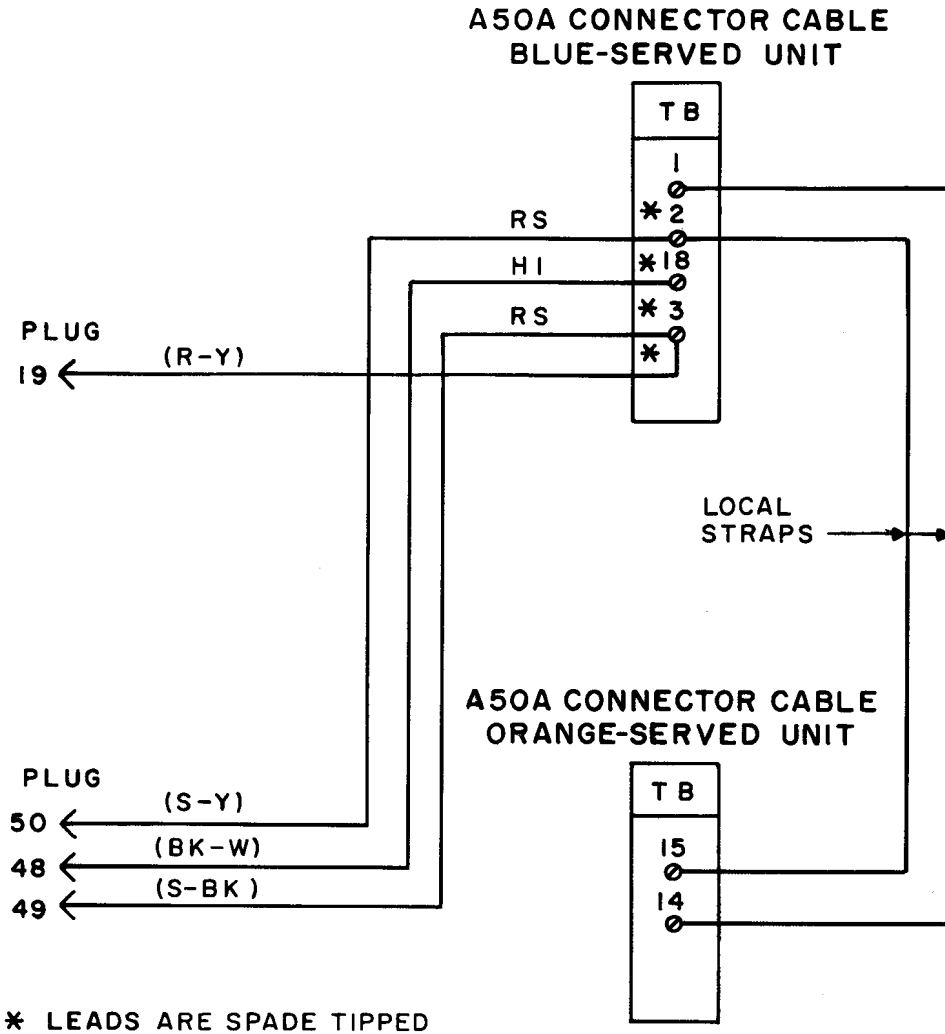


Fig. 4 — Wiring Between Connecting Cable Units
When 6051A or 6051C Key Is Used for
Holding on 1A1 and 1A Lines