

1A1 KEY TELEPHONE SYSTEM  
 LAMP RESISTOR UNITS LOCATED AT STATION  
 (CONNECTION DATA)

1.00 GENERAL

1.01 This section covers connections for dial selective intercommunicating lines with flashing line lamps (208A key telephone unit) having lamp resistor units located at the station. It includes wiring for 18-type resistors per ED-91929-01, Group 5.

1.02 Lamp resistors are required only when 24-volt dc supply is used for lamps in key telephone sets or when 48-volt dc over-feeders are used for lamps in indicators (see Fig. 1).

TYPE OF LAMP	BATTERY SUPPLY			RESISTOR	
	TYPE	NO. OF CELLS	VOLTS	TYPE	OHMS
51A	LOCAL	8	14 TO 20	18FD	210
	BUILDING	9	16 TO 22	18AD	240
		10	18 TO 24	18DF	290
		11	20 TO 26	18AS	350
		12 OR 13	22 TO 28	18AS	350
	CO	12 OR 13	22 TO 28	18AS	350
23		47.5 TO 50	18FB	900	
K2	CO	23	47.5 TO 50	18AS	350

FIG. 1 - BATTERY SUPPLY AND RESISTOR UNITS

1.03 Resistor units ED-91929-01, Group 5 should be equipped with specified 18-type resistors and mounted in 105A apparatus boxes in close proximity to the station connecting blocks.

2.00 CONNECTIONS

2.01 The connection drawing shows the connections to be made at the ED-91929-01, Group 5 resistor units (see Fig. 2).

2.02 When three or more stations are located near each other, the "L" and "LG" leads for these stations may be connected to common "L" and "LG" leads at the 105A apparatus box to serve these stations, provided the total resistance of the common "L" and "LG" leads does not exceed 10 ohms (which is the maximum total resistance for single "L" and "LG" leads) divided by the number of stations in the group.

2.03 When the intercommunicating line circuit is associated with more than one key telephone system or key equipment, the lamp power supply of the system with which the intercommunicating circuit is primarily associated may be used for all lamps, provided the lamp grounds are common. If lamp grounds are not common, lamps of the other systems shall be operated from their own power supply.

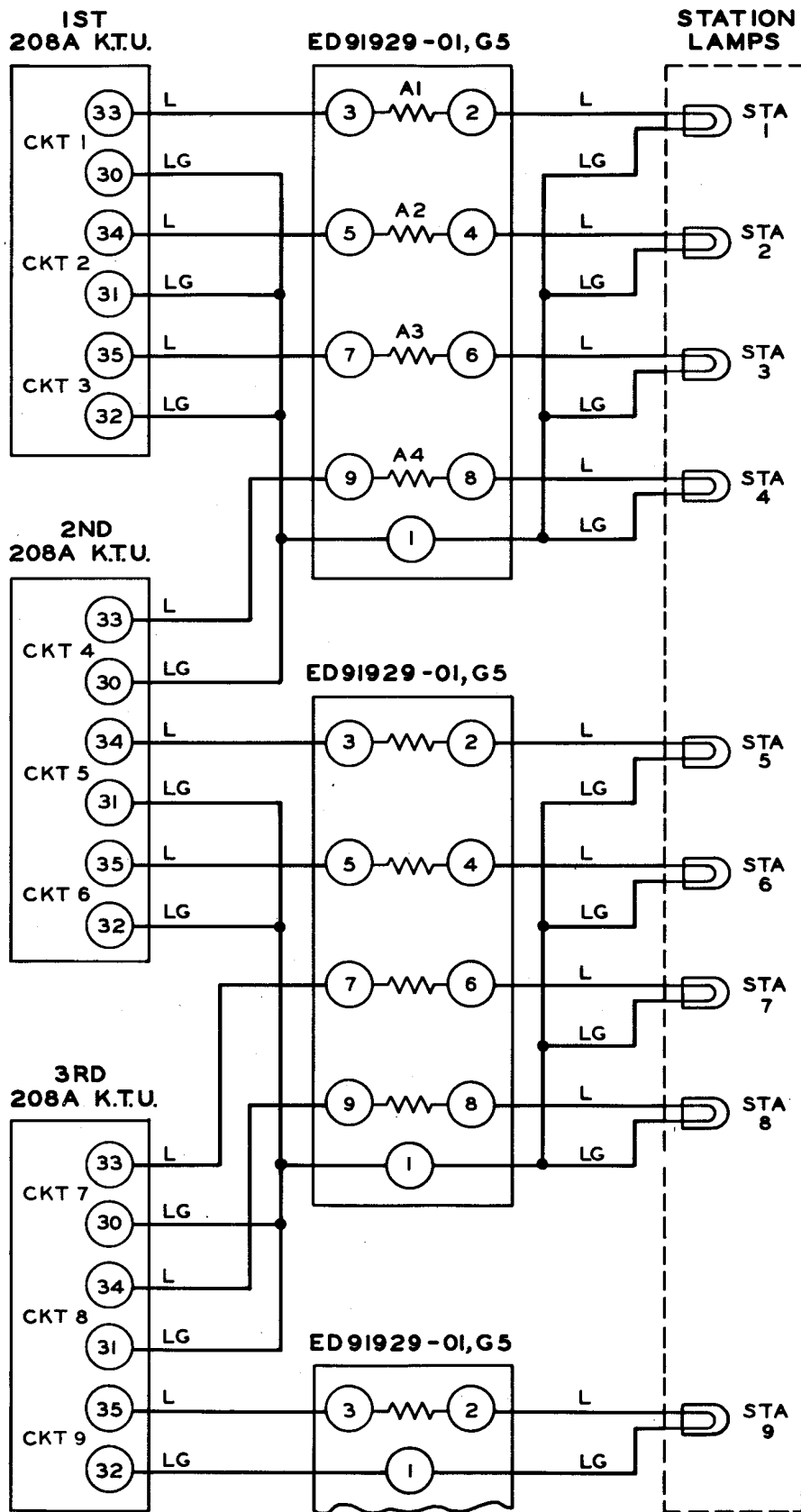


FIG. 2 - DIAL SELECTIVE INTERCOM LINE WITH FLASHING LINE LAMPS (208A KTU) - CONNECTIONS TO LAMP RESISTOR EQUIPMENT UNITS