

SELECTIVE SIGNALING
AUDIBLE SIGNAL CIRCUITS KEY TELEPHONE
SYSTEMS 1A - 1A1 - 6A

1.00 INTRODUCTION

- 1.01 This section covers an optional Selective Signaling arrangement which may be employed for various services and key equipment arrangements.
- 1.02 This system uses 400E Diodes in series with the R1 leads to isolate these various leads and make them selective for a variety of common audible signal arrangements.
- 1.03 This system also provides a method for combining the R1 leads from a number of lines with the R1 lead from a dial selective intercom line using the same signaling devices for both and providing more than one appearance of a common audible signal.
- 1.04 This system provides for a method of converting to individual R1 leads using a 212A KTU.

2.00 SIGNALING SYSTEM GENERAL

- 2.01 When ringers are used as method of signaling, they must be polarized for operation on pulsating DC negative ringing current. Note 2 of this section shows methods of polarizing the ringers.
- 2.02 When buzzers are used as method of signaling, DC buzzers and a DC power supply must be used.

3.00 LIMITATIONS

- 3.01 The number of ringers that may be placed in parallel on any one R1 lead should be limited to four (4) to obtain maximum efficiency.

4.00 CONNECTIONS

- 4.01 For conversion of 212A KTU to individual R1 lead operation see Fig. 1.
- 4.02 For multiple selective signaling arrangement see Fig. 2.
- 4.03 For combination common audible and dial selective intercom signaling arrangement see Fig. 3.

212A KTU CONVERSION FOR INDIVIDUAL R1 LEADS

Fig. 1

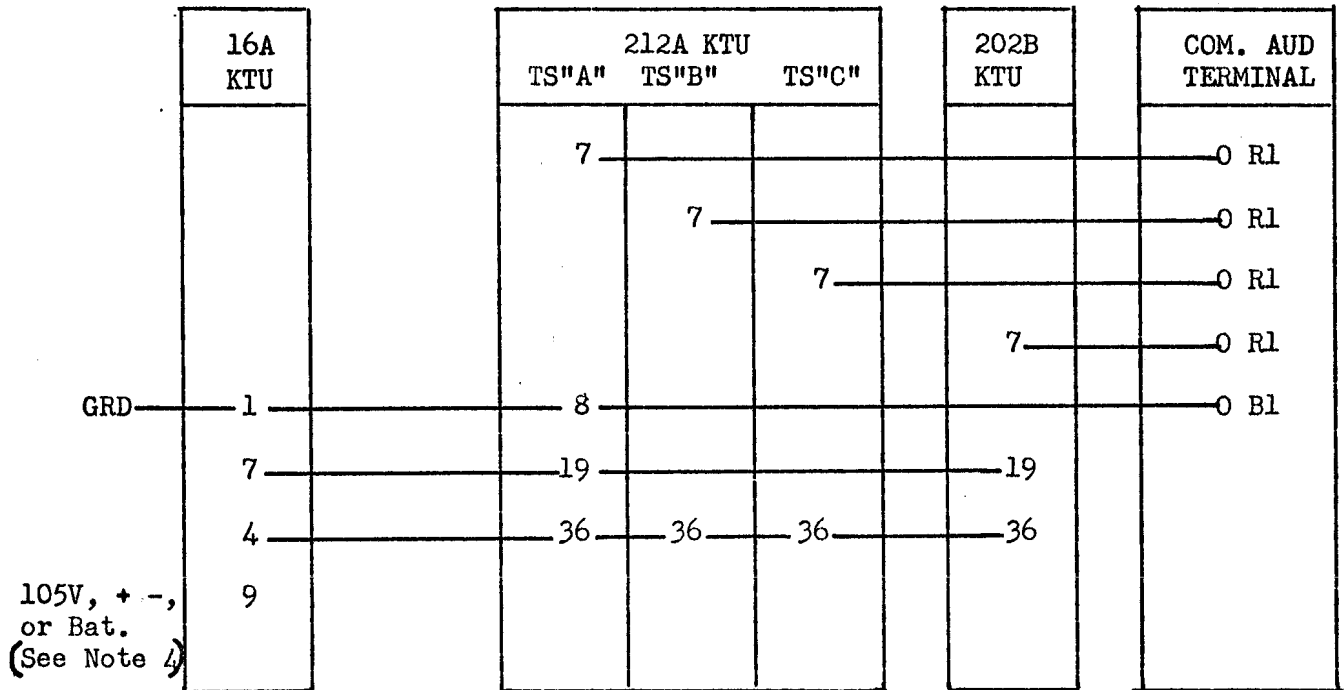
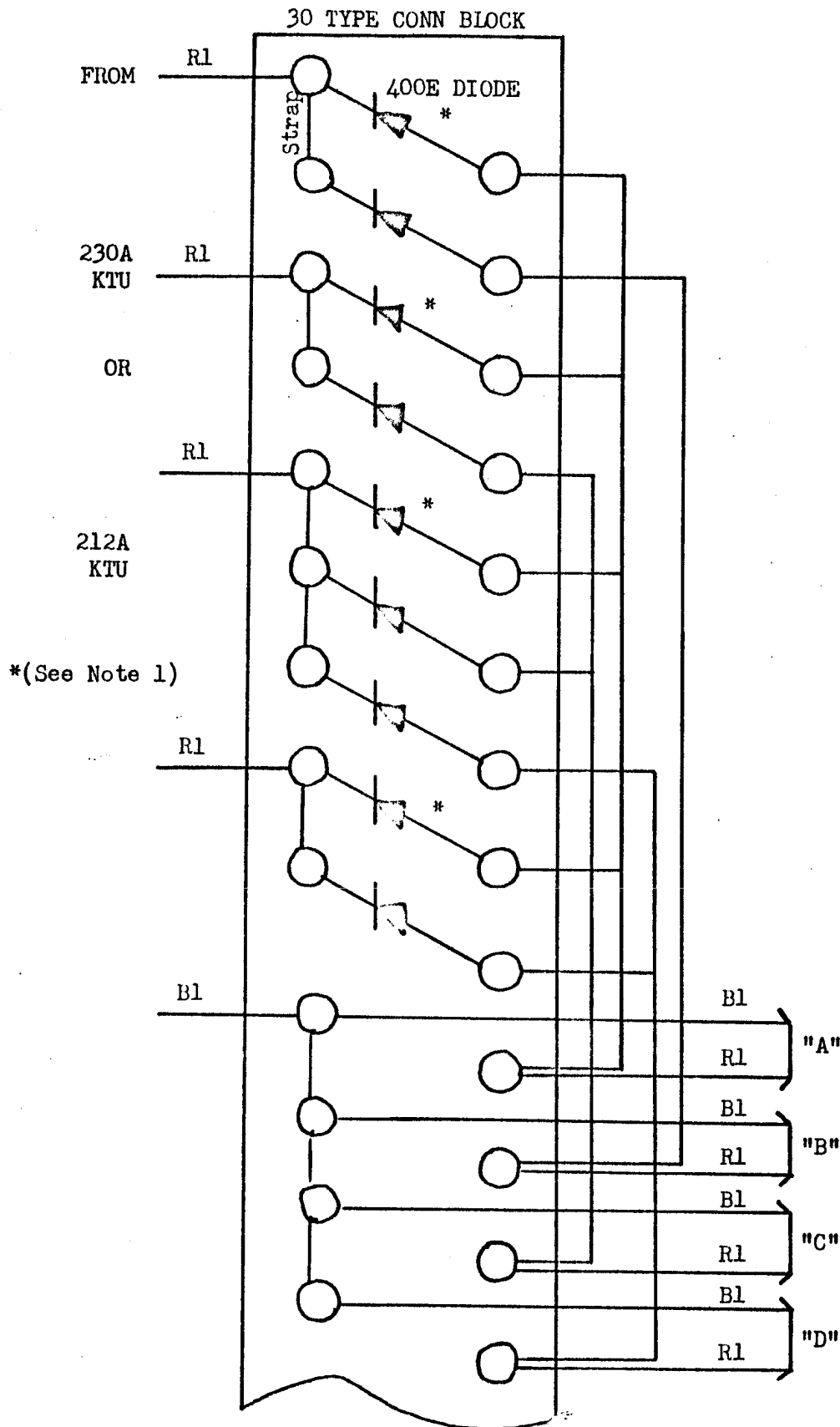


Fig. 2

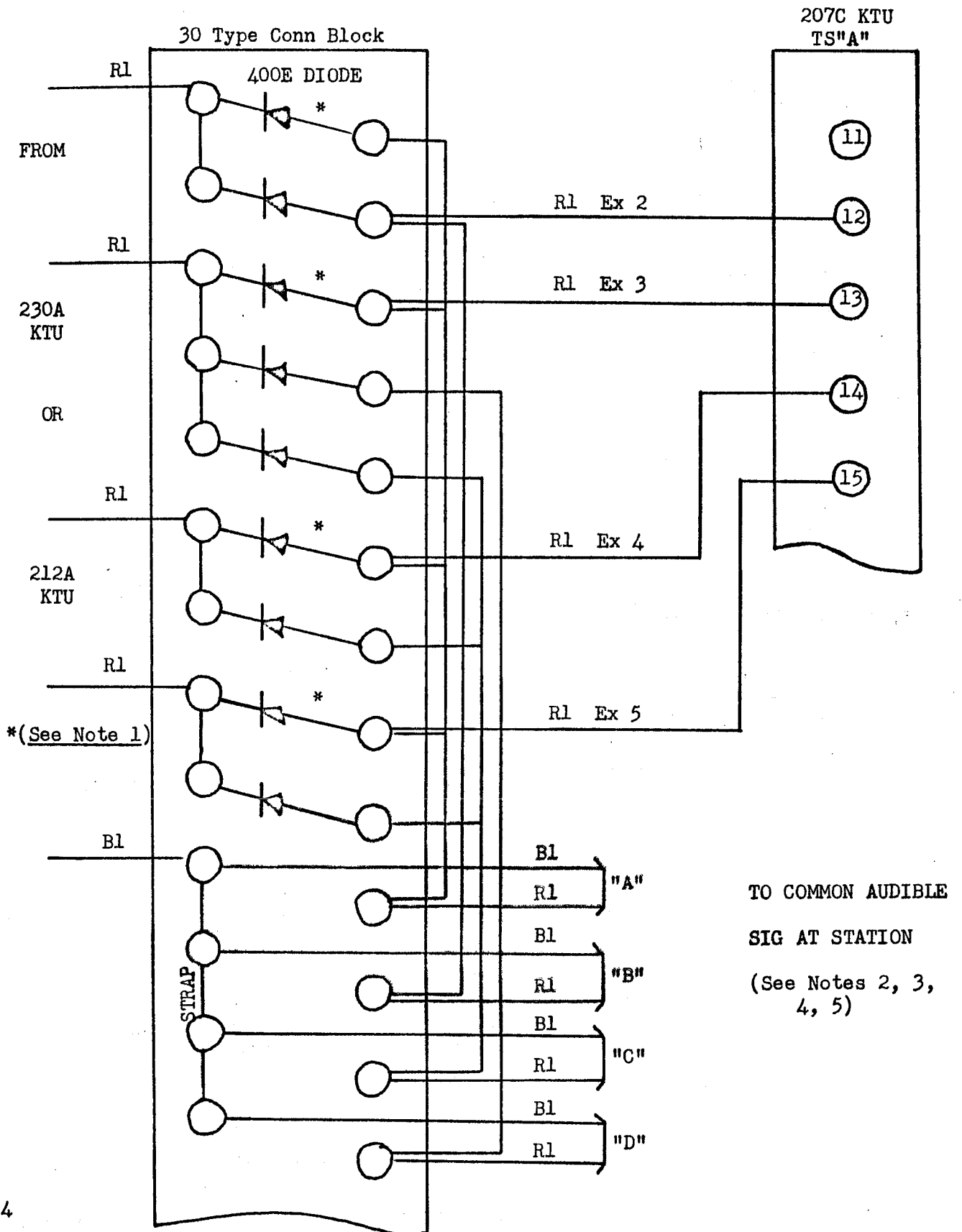


*(See Note 1)

To
Audible Sig.
At Station
(See Notes 2, 3,
4, 5)

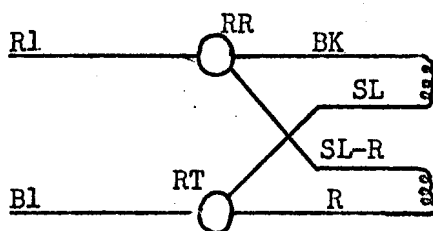
COM AUD & DIAL INTERCOM SIGNAL

Fig. 3



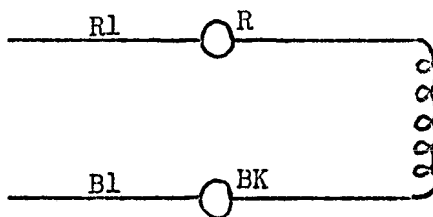
CIRCUIT NOTES

1. Where an R1 lead appears on more than one common audible signal, one 400E Diode is needed for each appearance.
2. In every case where R1 lead for common audible is working through a diode the bells must be polarized as follows:



C4A Ringer

3. This arrangement can be used whenever the signaling is done over separate pairs.
4. Two methods of signaling may be used, either ringers or buzzers. When using buzzers, DC battery and buzzers must be used.
5. In each case where an extension gong is required, use a 592C Sub Set and connect as follows:



592C Sub Set