

SELECTIVE SIGNALING

AUDIBLE SIGNAL CIRCUIT

1.00 Introduction

- 1.01 This section covers an optional selective signaling arrangement which may be employed for various services and key equipment arrangements.
- 1.02 This system uses 2 unit key tel. 8C list 426 consisting of 426A electron tubes that isolate the lines allowing more than one line to use the same common ringer.
- 1.03 It is the intent that this system be used where a common ringer is required. It will eliminate the need for a sub cycle power plant normally used in small key equipment installations to provide a common audible signal.

2.00 Signaling System Limitations

- 2.01 In offices having full selective ringing this system can be used on negative ring only.
- 2.02 The C4A ringer must be connected per Figure #2.
- 2.03 This system cannot be used where ringing current is supplied by manual P.B.X. system.

3.00 Installation

- 3.01 The unit key tel. will be equipped with 4, 426A electron tubes. Add tubes or leave idle as required.
- 3.02 This KTU is mounted on a P37B204 angle bracket and is adaptable to any cabinet assembly.

CONNECTIONS FOR AUDIBLE SIGNAL OPTION

The following option can be used where a common audible bell is required.

66A TERM	1A or 1A1 Key Tel. Units R of C.O. line 1 to 5	8C KTU
		(A)
		1
		2
		3
		4
R1		5
GK		6
B1		7
		(B)
		1
		2
		3
		4
R1		5
GR		6
B1		7

Figure #1

Rewire C4A ringers to be used for common audible signal.

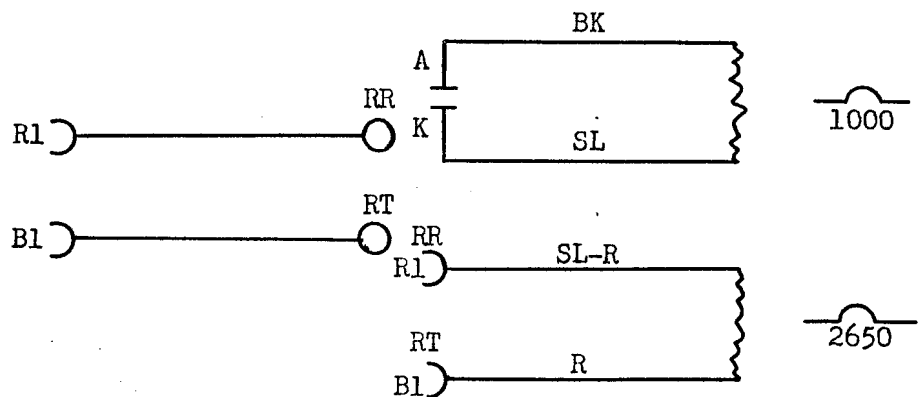


Figure #2

NOTE: Use for negative ring only