

BELL SYSTEM PRACTICES
Outside Plant Construction
and Maintenance

SECTION G61.114.1
Issue 1, July, 1952
AT&T Co Standard

BB CABLE TERMINALS

INSTALLATION

Contents	Page
1. General	1
2. Description	1
3. Locating Terminals	2
4. Mounting Terminals	2
5. Pole Seats and Balconies	5

1. GENERAL

1.01 This section covers the installation of 26, 304 and 404-pair BB Cable Terminals on poles and the associated pole seat and balcony. This section together with Section G61.114.2 replaces the information in Section 61 of Specifications 4950.

2. DESCRIPTION

2.01 BB Cable Terminals consist of a wooden cabinet with one or more sealed binding post chambers for cross-connecting between cables. The approximate dimensions of the terminals are shown below.

<u>Size of Terminal</u>	<u>Height</u>	<u>Width</u>	<u>Depth</u>
BB 26	25 in.	18 in.	12 in.
BB 304	81 in.	34 in.	12-1/2 in.
BB 404	99 in.	34 in.	12-1/2 in.

2.02 The code designating the size of terminal represents one-half the number of pairs that may be terminated.

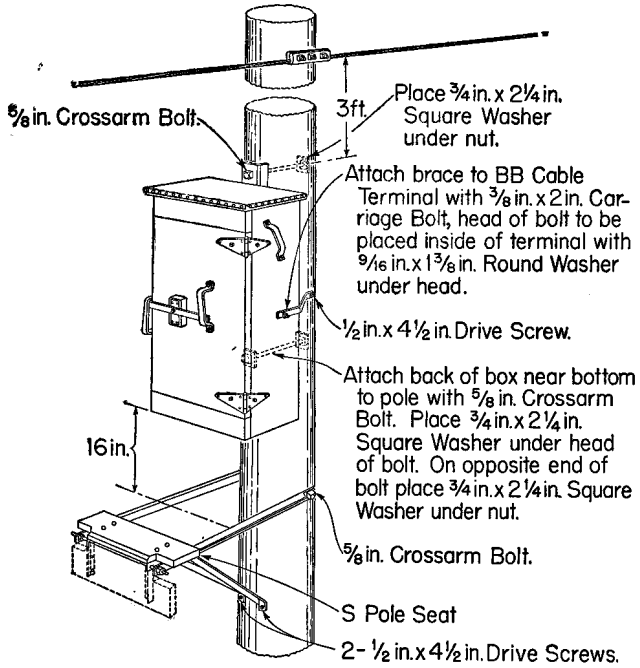
3. LOCATING TERMINALS

- 3.01 In general, BB Cable Terminals shall not be placed on poles located at street intersections or on poles supporting power transformers.
- 3.02 BB Cable Terminals shall be placed on the face or back of a pole where:
- (a) The distance from the street side of the curb and the nearest pole surface is **more than 14 inches.**
 - (b) There is no curb and the pole is located in a position that is not accessible to usual vehicular traffic.
- 3.03 BB Cable Terminals should be located on the **field side** of a pole where:
- (a) The distance from the street side of the curb and the nearest pole surface is **14 inches or less.**
 - (b) There is no curb and the pole is located so that vehicles may pass or park close to the pole.
- 3.04 On jointly used poles locate terminal so that vertical runs of cable will be on the field side of the pole to avoid power attachments.
- 3.05 The bottom of BB terminals shall not be less than 10 feet above a sidewalk or 12 feet above a driveway to a residence garage. BB26 terminals should preferably be located with the upper mounting hole 3 feet below the suspension strand but may be located higher on the pole when required. However, at least 12 inches shall be provided between the upper mounting hole of the terminal and the strand. BB304 and 404 terminals shall be located with the upper mounting hole not less than 12 inches below the suspension strand.

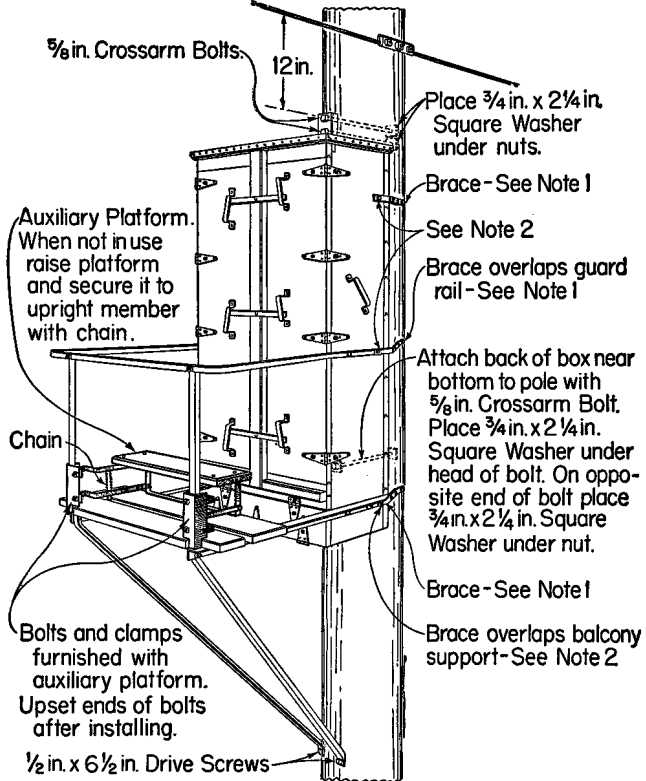
4. MOUNTING TERMINALS

- 4.01 BB Terminals shall be mounted as shown in the following illustrations. If a rope sling is used in raising the terminal, place it so that the terminal is bottom heavy. Use the winch line passed through a wire rope snatch-block lashed to the pole for lifting the terminal.

26-PAIR BB CABLE TERMINAL WITH S POLE SEAT



304 AND 404-PAIR BB CABLE TERMINALS WITH R BALCONY



Note 1- Fasten to pole with 1/2 in. x 4 1/2 in. Drive Screw.

Note 2- 3/8 in. x 2 1/2 in. Carriage Bolt. Place 5/16 in. x 1 1/8 in. Round Washer under head of bolt inside Terminal.

5. POLE SEATS AND BALCONIES

5.01 S Pole Seats and R Balconies are provided for use with pole mounted BB Terminals.

5.02 The S Pole Seat consists of a steel framework with a hinged wood seat and is used with BB 26 Cable Terminals. It shall be mounted as illustrated in Paragraph 4.01.

5.03 The R Balcony consists of a steel framework and railing and a wood platform. It is for use with BB 304 and 404 Cable Terminals. An Auxiliary Platform is available for the R Balcony. It consists of a folding wood step and is clamped to the vertical members of the balcony to facilitate working in the upper part of the terminal. The R Balcony and Auxiliary Platform shall be mounted as illustrated in Paragraph 4.01.