

BELL SYSTEM PRACTICES
Outside Plant Construction
and Maintenance

SECTION 661.115.2
Issue 1, March, 1955
AT&T Co Standard

BD TERMINALS

INSTALLING ON POLES AND WALLS

Contents	Page
1. General	1
2. Locating BD Terminals	1
3. Mounting BD Terminals	2

1. GENERAL

- 1.01 This section covers the installation of BD Cable Terminals on poles and walls.

2. LOCATING BD TERMINALS

On Poles

- 2.01 The terminal should preferably be located on the face or back of the pole on the splice side so that the stub cable will not cross the pole to reach the splice. Where the terminal in this position would overhang a highway or driveway, locate it on the opposite side of the pole, or if preferable on the field side of the pole.

- 2.02 Locate the through bolt which secures the detachable mounting bracket as follows:

- (a) 5 feet 6 inches below the cable suspension strand when installing a new terminal with a full length stub cable.
- (b) 4 feet 6 inches, or 3 feet 6 inches below the cable suspension strand when installing a recovered terminal.

The above dimensions may be varied within the limitation of the terminal stub length where necessary for the stub to clear existing strand, cable or other pole obstructions which cannot be moved. The bottom of the terminal shall not be less than 10 feet above a sidewalk or 12 feet above a driveway to a residence garage.

G61.115.2

Page 1

BD TERMINALS
INSTALLING ON POLES AND WALLS

On Walls

2.03 Where the cross-connecting terminal is to be mounted on an outside building wall, locate it in accordance with the detail plans, complying with the following points in so far as practicable. If the specified terminal location does not appear desirable from the standpoint of construction or safety, or is considered as offering potential maintenance difficulties, notify your supervisor in order that he may look into the question of obtaining a more satisfactory location. Locate the terminal:

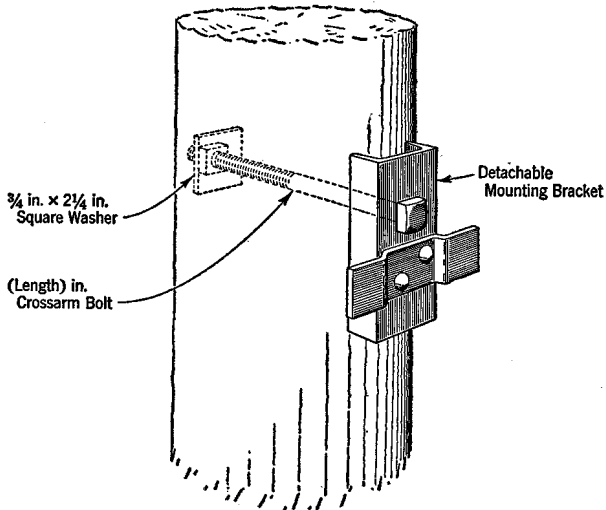
- (a) Where it will be accessible and where it will be possible to work in the terminal without the use of a ladder. Satisfactory working conditions are generally obtained by locating the upper mounting bracket of the terminal approximately 5 feet above the ground. This height may be increased if by so doing the possibility of accidents is reduced or damage to the terminal can be avoided.
- (b) To clear stairways.
- (c) So as to avoid electric light and power circuits.
- (d) Where it will not be subjected to damage such as may occur near driveways, loading platforms, moving machinery, hoists, doors, shutters, etc.
- (e) So as to avoid leaders, drains, waste and exhaust pipes.
- (f) Not less than 20 inches from the corner of a building.
- (g) So as to provide sufficient space for opening both doors of the terminal.
- (h) On a firm and even mounting surface.
- (i) On the dividing line between properties.

3. MOUNTING BD TERMINALS

3.01 The terminals are furnished with the stub cable coiled within a support to protect this cable during handling of the terminal. In order to minimize the possibility of sheath damage, the stub cable support should be left in place until the time of splicing when it can be removed.

3.02 Mount the terminal as follows:

- (1) Secure the detachable mounting bracket to a pole as shown in the following illustration, exercising care to level the cross member. Where the terminal is to be mounted on a masonry wall, attach this bracket to the wall by means of a 1/2-in. Machine Bolt Anchor with a 4-in. Galv. Machine Bolt or a 1/2-in. x 3-1/2-in. Hammer Drive Anchor. Place a 9/16-in. x 1-3/8-in. Round Washer under the head of the machine bolt or under the collar of the hammer drive anchor.



- (2) Secure a rope sling to the handles at the top of the terminal, so that the top of the sling is above the stub cable support. Raise the terminal by means of block and tackle, or a winch line passed through a snatch block secured to the pole, and engage the terminal hangers with the installed mounting bracket. Guide the terminal during hoisting by means of a handline secured to the handles.
- (3) Remove the adjustable mounting bracket, which is reversed for packing, and reattach it so that the vertical portion extends below the bottom of the terminal.
- (4) Level the terminal, viewing it from the front, and fasten the bracket to the pole with a 3/8-in. x 4-in. Drive Screw. Where the terminal is mounted on a masonry wall, attach this mounting bracket to the wall by means of a 3/8-in. x 2-in. Hammer Drive Anchor.
- (5) Level the terminal, viewing it from the side, and tighten the nut of the adjustable mounting bracket with a line-man's wrench.

G61.115.2

Page 3
3 Pages

BD TERMINALS
INSTALLING ON POLES AND WALLS