

BELL SYSTEM PRACTICES
Outside Plant Construction
and Maintenance

SECTION G61.115.3
Issue 2, March, 1955
AT&T Co Standard

BD TERMINALS
PLACING S POLE SEAT
B TERMINAL BALCONY AND B GUARD RAIL

Contents	Page
1. General	1
2. Placing S Pole Seat.....	2
3. Placing B Terminal Balcony.....	3
4. Placing B Guard Rail.....	6

I. GENERAL

1.01 This section covers the placing of pole seats, guard rail and terminal balcony in conjunction with BD Cable Terminals. Section G61.115.3 is replaced.

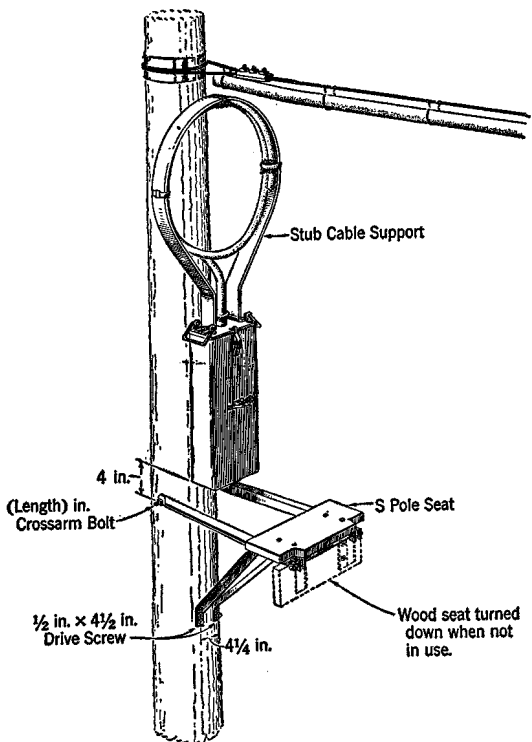
G61.115.3

Page 1

BD TERMINALS
PLACING S POLE SEAT
B TERMINAL BALCONY AND B GUARD RAIL

2. PLACING S POLE SEAT

2.01 The S Pole Seat is provided for use with BD102 and BD304 Cable Terminals because all binding posts in these terminals are within easy reach of a workman in a sitting position. The placement of an S Pole Seat in conjunction with these two terminal sizes is indicated in the following illustration.



3. PLACING B TERMINAL BALCONY

3.01 **General:** The B Terminal Balcony is provided primarily for use with BD202, BD404 and BD606 Terminals to enable a workman to stand on the seat while working in the upper section of these taller terminals. It may also be used with the shorter BD102 and BD304 Terminals.

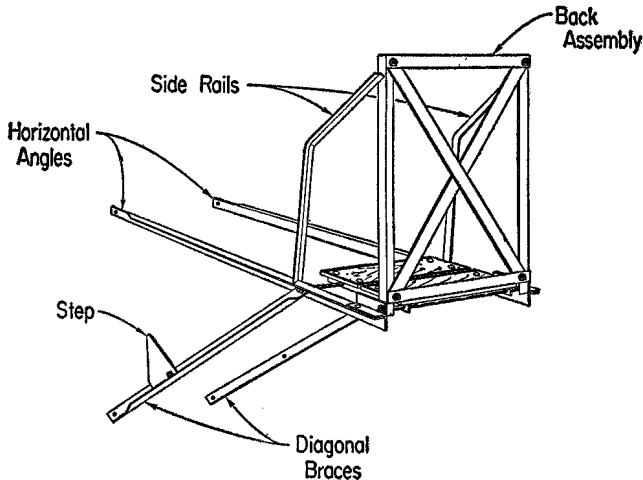
3.02 **Assembly:** The B Terminal Balcony is supplied collapsed into a compact unit with the two side rails and step disassembled, the two diagonal braces folded up and the back assembly folded down against the two horizontal angles. Prepare the balcony for pole mounting in accordance with the following procedure:

- (1) Set the collapsed balcony flat on the ground with the back assembly uppermost and remove all tie wires.
- (2) Raise the back assembly to a vertical position and attach the two side rails to it and to the horizontal angles with 3/8-in. carriage bolts and back washers supplied with the unit. Place bolt heads on the inside and tighten the nuts securely.
- (3) Two double ended 5/8-in. bolts located under the wood pole seat join the two horizontal angles. Turn the four outer and four inner nuts on these bolts away from the horizontal angles to allow for free movement of the members when the balcony is mounted on the pole.
- (4) Attach the step to one of the diagonal braces with the 1/2-in. nut and back washer also supplied. Position the step on the outside of the brace and the bolt head on the inside.

(5) The assembled balcony is illustrated below.

7

B TERMINAL BALCONY

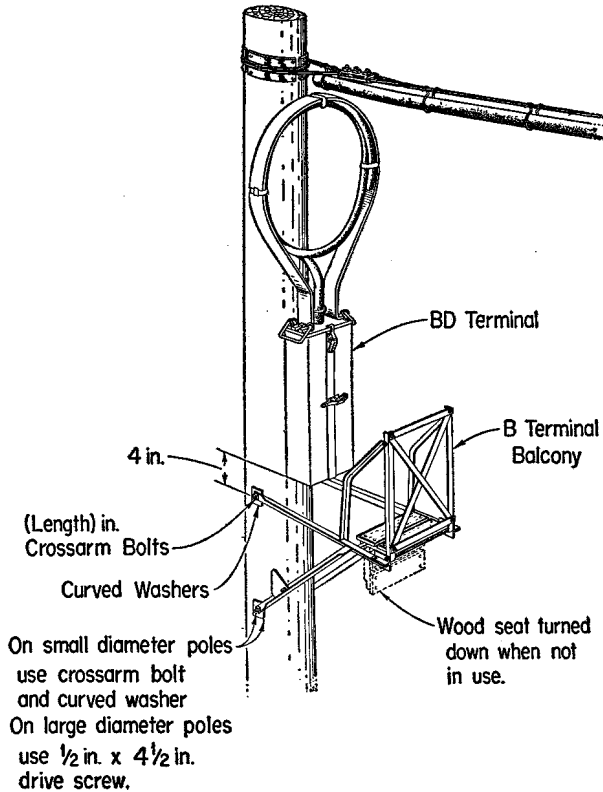


3.03 Pole Mounting: Proceed as follows:

- (1) Bore a 11/16-in. hole in the side of the pole 4 inches below the bottom of a BD Terminal.
- (2) Raise the balcony into position and attach the horizontal angles to the pole with a 5/8-in. crossarm bolt inserted into the 11/16-in. hole. Provide curved washers between the ends of the angles and the pole.
- (3) Adjust the level of the pole seat and then spot the location of the diagonal brace hole below that of the horizontal members. On small diameter poles bore a 11/16-in. hole in the pole and attach the diagonal braces with a 5/8-in. crossarm bolt and curved washers. On large diameter poles attach the diagonal braces with 1/2-in. x 4-1/2-in. Drive Screws.
- (4) Center the wood seat between horizontal angles; adjust the 8 nuts on the double ended bolts against the sides of the horizontal angles finger tight and then tighten them securely with a wrench.

7

- (5) Tighten the nuts of the 3/8-in. carriage bolts which clamp the two short angles to the horizontal angles and the back assembly.
- (6) The wood pole seat should be left turned downward so as to avoid possible accumulation of snow or ice.
- (7) A pole mounted B Terminal Balcony is shown below.



G61.115.3

Page 5

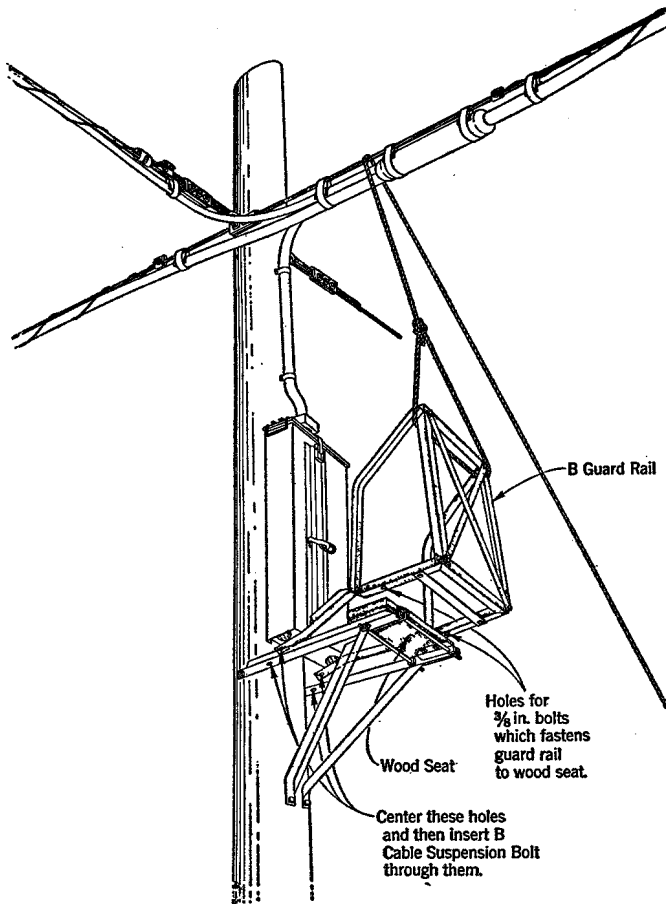
**BD TERMINALS
PLACING S POLE SEAT
B TERMINAL BALCONY AND B GUARD RAIL**

4. PLACING B GUARD RAIL

4.01 **General:** B Guard Rail is designed for mounting on the S Pole Seat for the purpose of providing balcony facilities at BD Terminals. It is intended primarily for the taller BD202 and BD404 Terminals to permit workmen to stand on the pole seat while working in the terminal. The B Terminal Balcony can be used instead but it will require the removal of the S Pole Seat. Local instructions should indicate when such substitution can be made.

4.02 **Installing B Guard Rail on S Pole Seat:** Proceed as follows:

- (1) Pass a hand line over the cable suspension strand and position it at a point directly above the pole seat of the BD Terminal.
- (2) Tie one end of the hand line to the guard rail by passing it under the side rails as shown in the illustration. Raise the guard rail above the pole seat and position it as shown in the following illustration.



- (3) Remove the two nuts from a B Cable Suspension Bolt of suitable length and run the remaining nuts down evenly toward the center of the bolt. Lower the guard rail to within a few inches above the pole seat and position the two legs between the horizontal members of the S Pole Seat.

G61.115.3

Page 7

**BD TERMINALS
PLACING S POLE SEAT
B TERMINAL BALCONY AND B GUARD RAIL**

Center the holes at the end of the guard legs with those of the pole seat horizontal members near the pole and insert the B bolt through them. Center the B bolt and run out the two nuts until they bear against the legs of the guard rail.

(4) Place nuts on the outside ends of the B bolt and let down on the hand line until the guard rail rests on the pole seat. Tighten the outside nuts on the B bolt. Position a $\frac{3}{8}$ -in. bit in the holes of the guard rail members resting on the pole seat and bore holes through the wood seat. Use the two $\frac{3}{8}$ -in. bolts supplied with the guard rail to bolt the guard rail to the wood seat. The complete installation of the guard rail is shown in the following illustration.

